

7. Parts catalog

How to use this parts catalog

Asm-index	Part number	Units/mach	Units/FRU	Description	Removal procedure
-----------	-------------	------------	-----------	-------------	-------------------

- **Asm-index:** Identifies the assembly and the item in the diagram. For example, 3-1 indicates Assembly 3 and item number 1 in the table.
- **Part number:** Identifies the unique number that identifies this FRU.
- **Units/mach:** Refers to the number of units actually used in the base machine or product.
- **Units/option:** Refers to the number of units in a particular option. It does not include the rest of the base machine.
- **Units/FRU:** Refers to the number of units packaged together and identified by the part number.
- **Description:** Provides more descriptive information to help identify the part.
- **Removal procedure:** Links directly to the instructions for removing the part.
- **NS:** (Not shown) in the Asm-Index column indicates that the part is procurable but is not pictured in the illustration.
- Model information used in the parts catalog:

Abbreviation used	Machine type and model	Printer name
210	5062-210	C792e
230	5062-230	C792de, C792dte
235	5062-235	C792dhe
239	5062-239	CS796de

Previous



Next



Go Back

Assembly 1: Top, right, and front covers

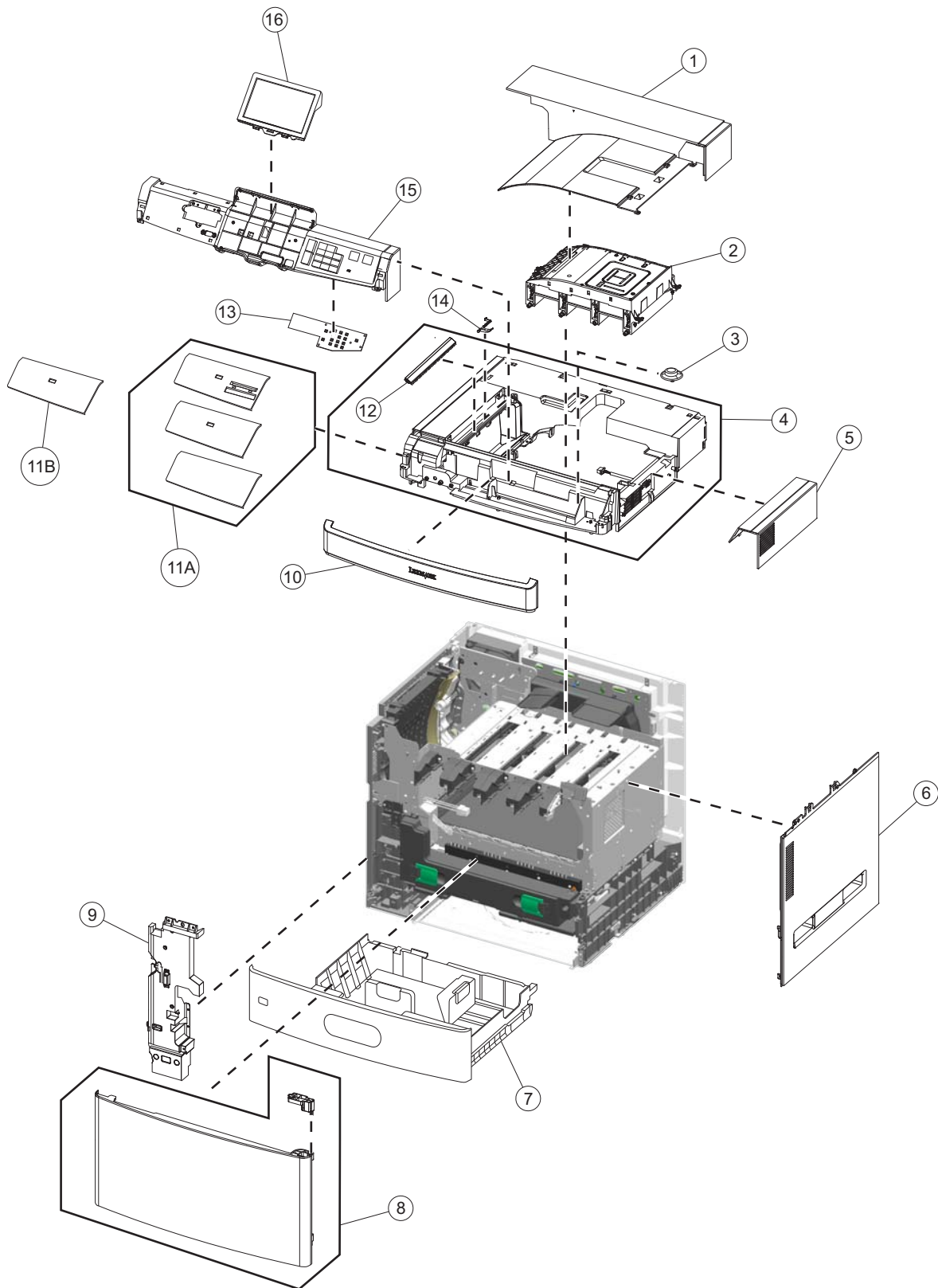
Previous



Next



Go Back



Assembly 1: Top, right, and front covers

Index	P/N	Units/ mach	Units/ FRU	Description	Removal procedure
1—1	40X7109	1	1	Printhead access cover	“Printhead access cover removal” on page 4-19
2	40X7127	1	1	Printhead assembly	“Printhead removal, installation, and alignment” on page 4-123
3	40X7117	1	1	Speaker	“Speaker removal” on page 4-139
4	40X7108	1	1	Top cover assembly with output option cable	“Top cover removal” on page 4-30
5	40X7110	1	1	Top cap cover	“Top cap cover removal” on page 4-29
6	40X7120	1	1	Right cover	“Right cover removal” on page 4-24
7	40X6099	1	1	Standard media tray (550-sheet media tray assembly)	“Standard media tray removal” on page 4-150
8	40X7111	1	1	Front access door and pivot	“Front access door assembly removal” on page 4-3
9	40X7125	1	1	Waste toner left cover with beacon	“Waste toner left cover removal” on page 4-34
10	40X7113	1	1	Logo panel	“Logo panel removal” on page 4-85
11A	40X7118	1	1	OP panel bezel, 210 (3 bezels): <ul style="list-style-type: none"> • Bezel • Bezel with USB • Bezel with USB and card reader 	“OP panel bezel removal” on page 4-18
	40X7119	1	1	OP panel bezel, 230 (3 bezels): <ul style="list-style-type: none"> • Bezel • Bezel with USB • Bezel with USB and card reader 	
11B	40X7329	1	1	BSD OP panel bezel, 235 (1 bezel): <ul style="list-style-type: none"> • Bezel with USB 	
12	40X7179	1	1	ESD bracket	“ESD bracket removal” on page 4-58
13	40X7115	1	1	OP panel UICC card	“OP panel UICC card removal” on page 4-114
14	40X7124	1	1	Bin-full flag	“Bin-full flag removal” on page 4-37
15	40X7114	1	1	OP panel cover assembly with buttons	“OP panel cover removal” on page 4-18 “OP panel button removal” on page 4-112
16	40X7116	1	1	OP panel display: 4.3 LCD touch screen	“OP panel display removal” on page 4-113

Previous

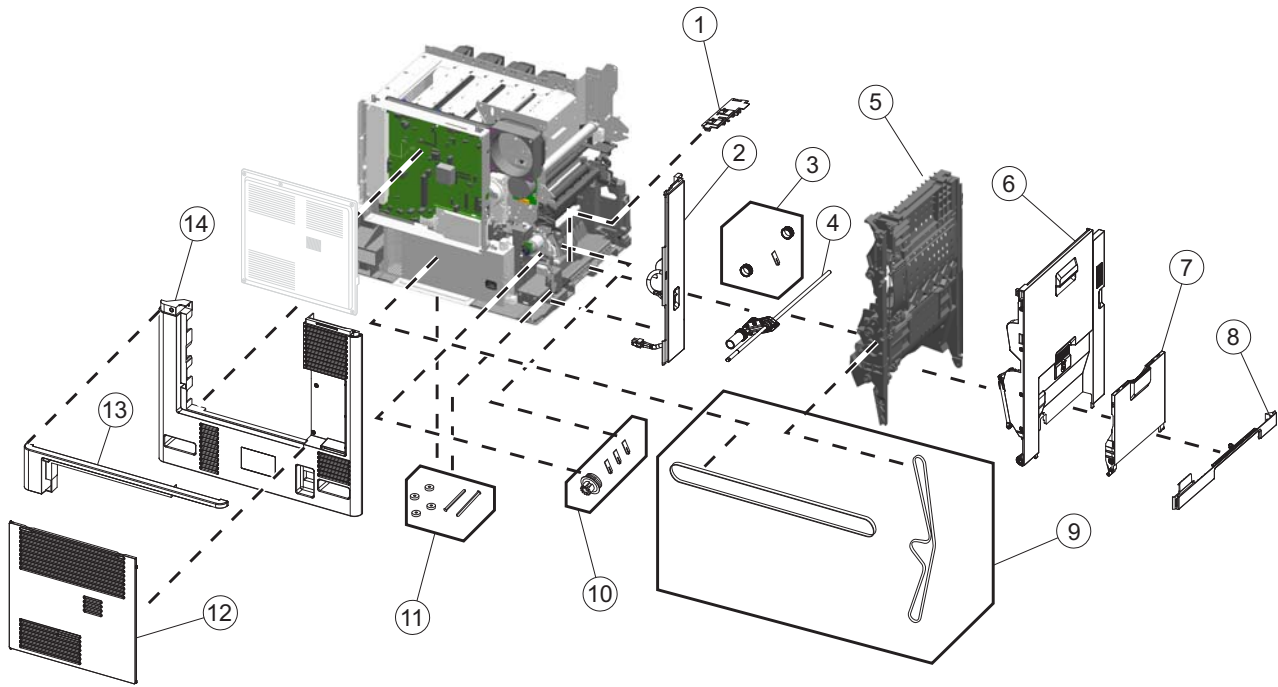


Next



Go Back

Assembly 2: Left and rear covers



Previous



Next



Go Back

Assembly 2: Left and rear covers

Index	P/N	Units/ mach	Units/ FRU	Description	Removal procedure
2—1	40X7151	1	1	MPF sensor plate assembly	“MPF sensor plate assembly removal” on page 4-108
2	40X7122	1	1	Left cover assembly with LVPS power switch cable	“Left cover removal” on page 4-11
3	40X7178	1	1	MPF pick tire roll assembly, including <ul style="list-style-type: none"> • Pick rolls (x2) • MPF special wear strip, pellathane strip 	“MPF pick rolls and special wear strip removal” on page 4-104
4	40X7148	1	1	MPF paper pick assembly, including <ul style="list-style-type: none"> • Thrust washer • Pick tire rolls 	“MPF paper pick assembly removal (including the MPF ratchet collar and MPF drive pulley)” on page 4-101
5	40X7156	1	1	Duplex assembly	“Duplex assembly removal” on page 4-53
6	40X7123	1	1	Left access door assembly, including <ul style="list-style-type: none"> • Duplex belt shield • Connector shield 	“Left access door assembly removal” on page 4-5
7	40X7147	1	1	MPF door assembly, including <ul style="list-style-type: none"> • MPF door cover • MPF outer plate • MPF side restraint • Paper guide slide 	“Multipurpose feeder (MPF) cover removal” on page 4-17
8	40X7121			Lower left cover	“Lower left cover removal” on page 4-11
9	40X7157	1	1	Belts parts packet, including <ul style="list-style-type: none"> • MPF drive belt • Duplex drive belt 	“MPF drive assembly removal” on page 4-106 “Duplex assembly removal” on page 4-53
10	40X7150	1	1	MPF pick parts packet, including <ul style="list-style-type: none"> • MPF wear strip (x3) • MPF pulley • Ratchet collar 	“MPF wear strips removal” on page 4-109 “MPF paper pick assembly removal (including the MPF ratchet collar and MPF drive pulley)” on page 4-101
11	40X7174	1	1	Pins and pads parts packet, including <ul style="list-style-type: none"> • Pad (x6) • Side door front pin • Side door rear pin 	“Pad removal” on page 4-116 “Left access door assembly removal” on page 4-5
12	40X7138	1	1	System board shield door	“System board shield door removal” on page 4-27
13	40X7106	1	1	Rear upper cover	“Rear upper cover removal” on page 4-22
14	40X7105	1	1	Rear cover	“Rear cover removal” on page 4-20

Previous

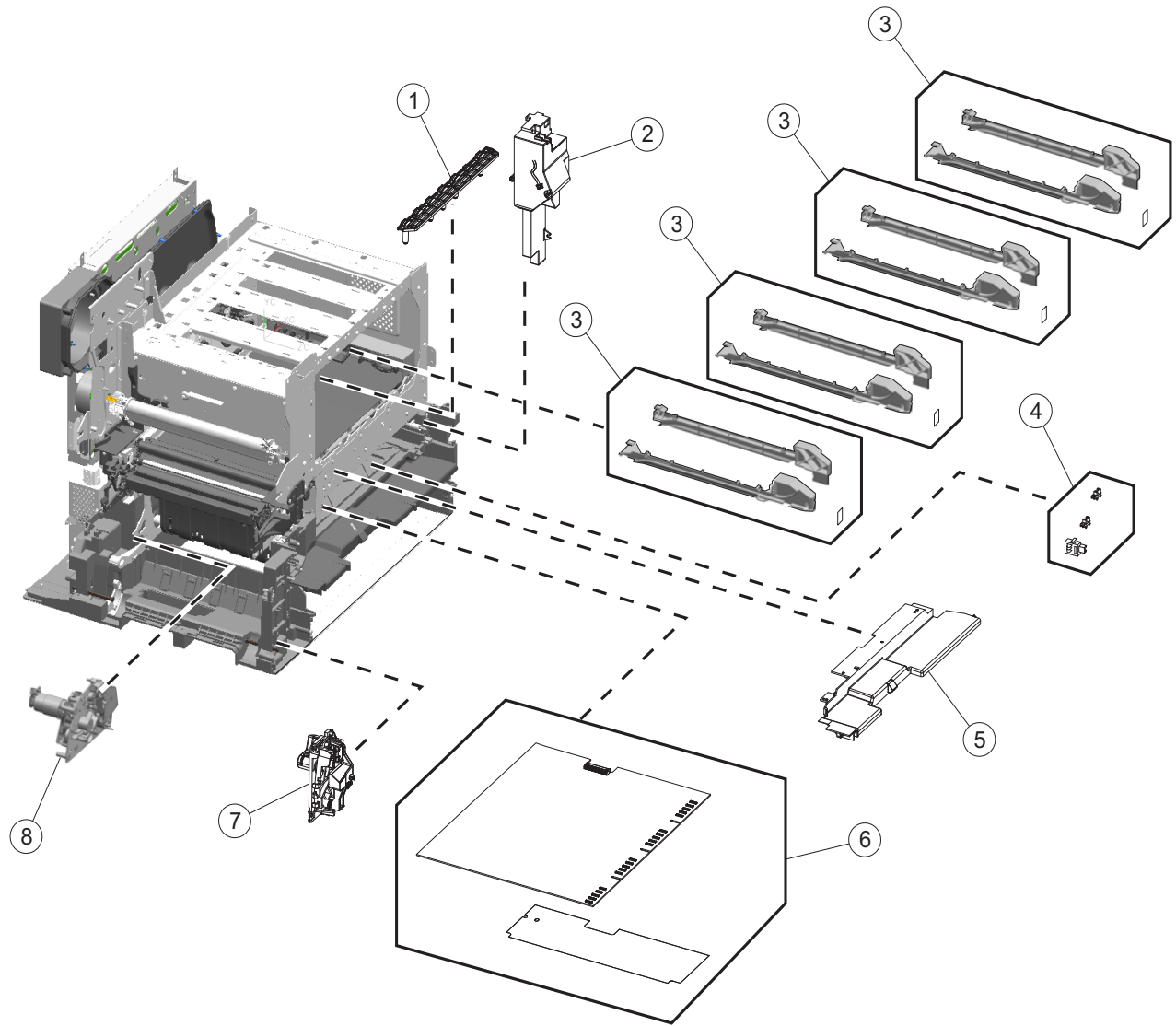


Next



Go Back

Assembly 3: Front



Previous



Next



Go Back

Assembly 3: Front

Index	P/N	Units/ mach	Units/ FRU	Description	Removal procedure
3—1	40X7145	1	1	ITU contact block assembly	“ITU block assembly removal” on page 4-80
2	40X7130	1	1	Cartridge blower assembly	“Cartridge blower assembly removal” on page 4-39
3	40X7141	4	1	Cartridge rail assembly, including <ul style="list-style-type: none"> • Labels Y, C, M, K (2 each) • Cartridge rail, right side • Cartridge rail, left side 	“Cartridge rail removal” on page 4-47
4	40X7163			Sensors parts packet, including <ul style="list-style-type: none"> • Waste toner sensors (2) • Paper auto size sensor • Paper path sensors (not shown) • Bin-full sensor (not shown) 	“Waste toner sensor removal” on page 4-159 “Waste toner full sensor removal” on page 4-162 “Paper auto-size sensor removal” on page 4-117 “Bin-full sensor removal” on page 4-38
5	40X7161	1	1	Waste toner tray bracket	“Waste toner tray bracket removal” on page 4-163
6	40X7139	1	1	HVPS assembly with cable shield	“High-voltage power supply (HVPS) board removal” on page 4-71
7	40X7112	1	1	Housing interlock assembly with sensor	“Housing interlock assembly removal” on page 4-75
8	40X7158	1	1	Staging paper path reference edge assembly	“Staging paper path reference edge assembly removal” on page 4-142

Previous



Next



Go Back

Assembly 3.1: Front (continued)

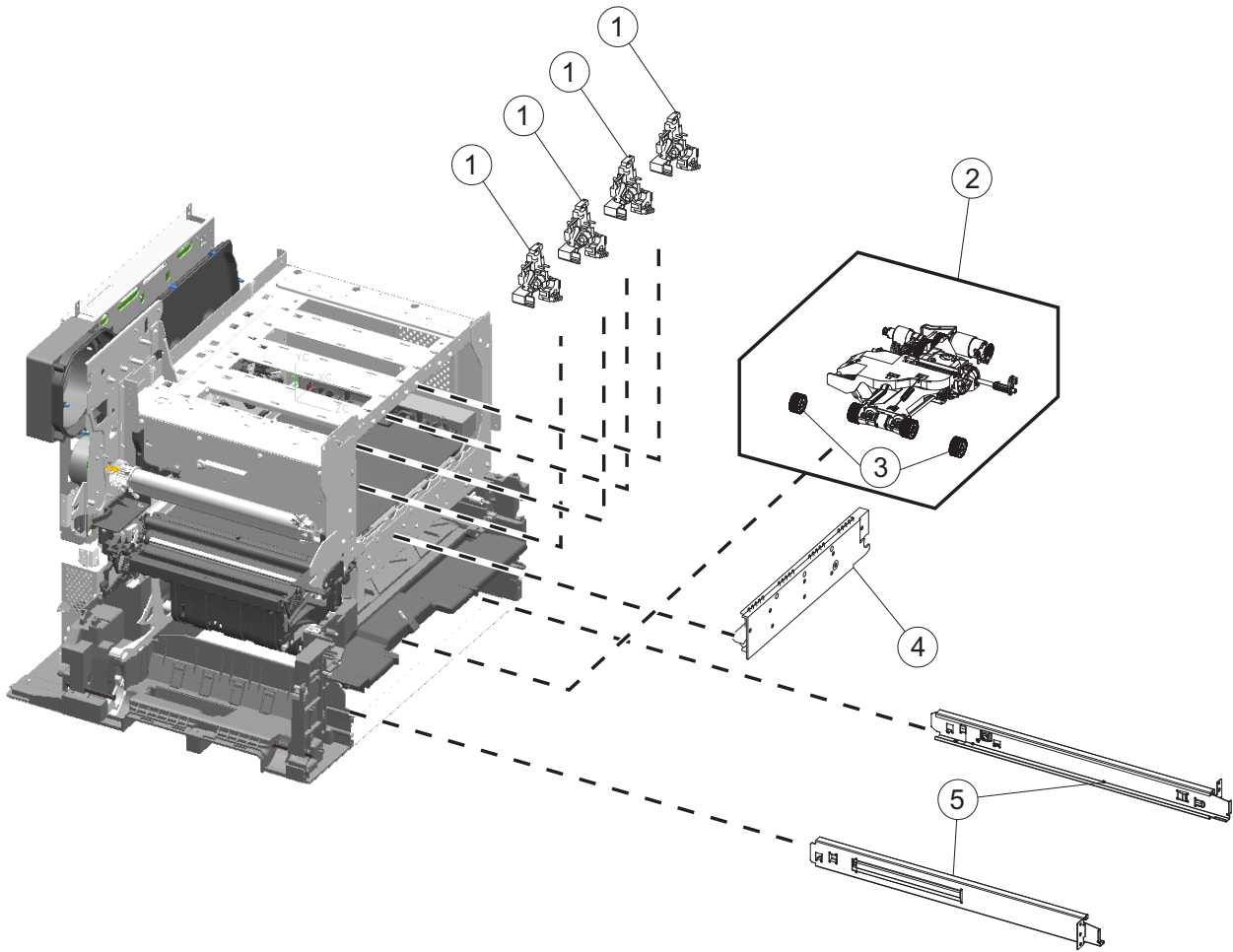
Previous



Next



Go Back



Assembly 3.1: Front (continued)

Index	P/N	Units/ mach	Units/ FRU	Description	Removal procedure
3.1—1	40X7142	4	1	Cartridge memory block with sensor	“Cartridge memory block removal” on page 4-44
2	40X7160	1	1	Paper pick mechanism assembly	“Paper pick mechanism assembly removal” on page 4-120
3	40X6104	2	2	Pick tire roll assembly	“Pick rolls removal” on page 4-122
4	40X7143	4	1	Cartridge contact block assembly	“Cartridge contact block assembly removal” on page 4-42
5	40X7126	1	1	Media tray rails (1 right, 1 left)	“Media tray rail removal” on page 4-94

Previous

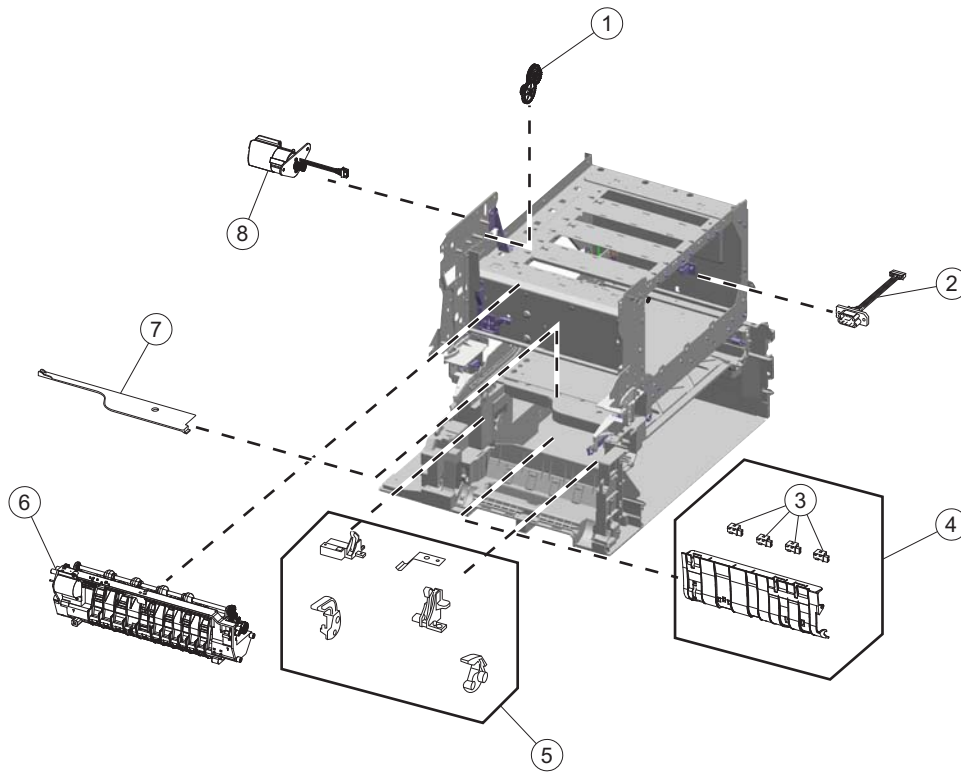


Next



Go Back

Assembly 4: Left



Previous



Next



Go Back

Assembly 4: Left

Index	P/N	Units/ mach	Units/ FRU	Description	Removal procedure
4—1	40X7133	1	1	Redrive parts packet, including <ul style="list-style-type: none"> • Gear thrust washer (2) • Gear—Idler 50T (2) • Gear—64T 22T Compound • Gear—36T 18T Compound 	“Redrive gears removal” on page 4-134
2	40X7166	1	1	ITU autoconnect cable	“ITU autoconnect removal” on page 4-78
3	40X7163			Sensors parts packet, including <ul style="list-style-type: none"> • Waste toner sensors (2) (not shown) • Paper auto size sensor (not shown) • Paper path sensors (input, S1, narrow media, near narrow media) • Bin-full sensor (not shown) 	“Staging deflector assembly removal” on page 4-140
4	40X7146	1	1	Staging deflector assembly with sensors	“Staging deflector assembly removal” on page 4-140
5	40X7172	1	1	Fuser/MPF/autocomp parts packet, including <ul style="list-style-type: none"> • Fuser datum rear bellcrank • Fuser datum front bellcrank • Fuser datum bellcrank spring (2) • Autocomp (ACM) bias spring • MPF rear breakaway support • MPF front breakaway support 	“Datum bell crank removal” on page 4-51 “ACM bias spring removal” on page 4-36 “MPF breakaway assemblies removal” on page 4-98
6	40X7134	1	1	Paper path redrive assembly	“Paper path redrive assembly with sensors removal” on page 4-117
7	40X7164	1	1	Lower frame cable cover	“Lower frame cable cover removal” on page 4-16
8	40X7132	1	1	Redrive motor assembly	“Redrive motor removal” on page 4-135

Previous

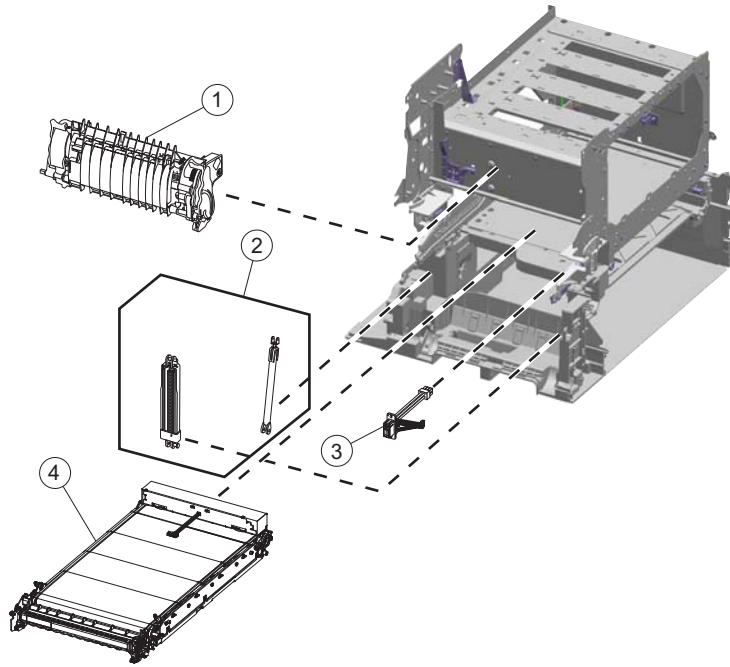


Next



Go Back

Assembly 4.1: Left (continued)



Previous



Next



Go Back

Assembly 4.1: Left (continued)

Index	P/N	Units/ mach	Units/ FRU	Description	Removal procedure
4.1—1	40X7100	1	1	Fuser assembly, 115 V	“Fuser assembly removal” on page 4-63
	40X7101			Fuser assembly, 220 V	
	40X7102			Fuser assembly, 100 V	
2	40X7153	1	1	Left access door pistons parts packet, including <ul style="list-style-type: none"> • Piston clip pin • Left door spring support • Piston housing assembly • Door support anchor pin (3) 	“Left access door piston removal” on page 4-82
3	40X7165	1	1	Fuser system card and LVPS cable with cable ties	“Fuser system card and LVPS cable removal” on page 4-67
4	40X7103	1	1	ITU module assembly	“ITU assembly removal” on page 4-77

Previous

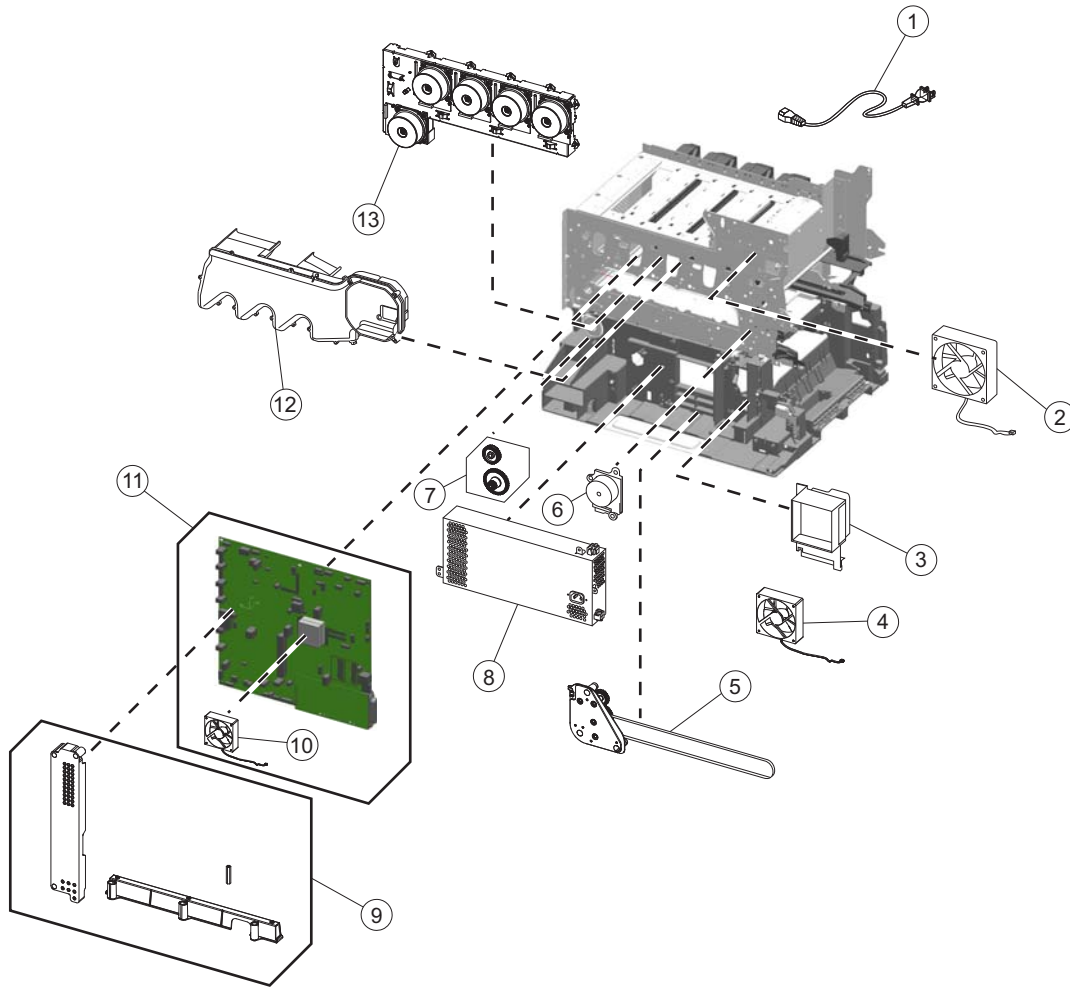


Next



Go Back

Assembly 5: Rear



Previous



Next



Go Back

Assembly 5: Rear

Index	P/N	Units/ mach	Units/ FRU	Description	Removal procedure
5—1	40X0269	1	1	Bolivia, Peru (8' ST)	N/A
	40X0270	1	1	Japan (8' ST)	
	40X0271	1	1	UK, Ireland (8' ST)	
	40X0273	1	1	Chile, Uruguay (8' ST)	
	40X0275	1	1	Israel (8' ST)	
	40X0288	1	1	Argentina (8' ST)	
	40X0301	1	1	Australia (8' ST)	
	40X0303	1	1	PRC (8' ST)	
	40X1772	1	1	Switzerland (8' ST)	
	40X1773	1	1	South Africa (8' ST)	
	40X1774	1	1	Denmark (8' ST)	
	40X1791	1	1	Taiwan (2.5 m ST)	
	40X1792	1	1	Korea (2.5 m ST)	
	40X3141	1	1	Europe (8' ST)	
	40X4596	1	1	Brazil (8' ST)	
40X7104	1	1	U.S., Canada (8' ST)		
2	40X7131	1	1	Main fan	“Main fan removal” on page 4-92
3	40X7128	1	1	LVPS exit duct	“LVPS exit duct removal” on page 4-89
4	40X7129	1	1	LVPS fan	“LVPS fan removal” on page 4-90
5	40X7152	1	1	MPF drive assembly	“MPF drive assembly removal” on page 4-106
6	40X7135	1	1	Fuser drive assembly, including <ul style="list-style-type: none"> • Gear thrust washer • Gear–Fuser Dr Compound 	“Fuser drive assembly removal” on page 4-65
7	40X7162	1	1	Waste toner gears parts packet, including <ul style="list-style-type: none"> • Gear–30T Helical • Gear–46T Spur 17T Helical 	“Waste toner gears removal” on page 4-158
8	40X7137	1	1	Low-voltage power supply (LVPS) with thermistor retainer	“Low-voltage power supply (LVPS) removal” on page 4-86
9	40X7140			System board and HVPS card parts packet, including <ul style="list-style-type: none"> • Connector shield (RIP card shield) • HVPS standoff • HVPS card standoff 	Connector shield—step 3 of “Low-voltage power supply (LVPS) removal” on page 4-86 HVPS parts— “High-voltage power supply (HVPS) board removal” on page 4-71
10	40X6501	1	1	CPU cooling fan	“CPU cooling fan removal” on page 4-49
11	40X7136	1	1	System board	“System board removal” on page 4-151
12	40X7155	1	1	Exit cooling duct assembly	“Exit cooling duct removal” on page 4-60
13	40X7144	1	1	EP drive assembly	“EP drive assembly removal” on page 4-56

Previous

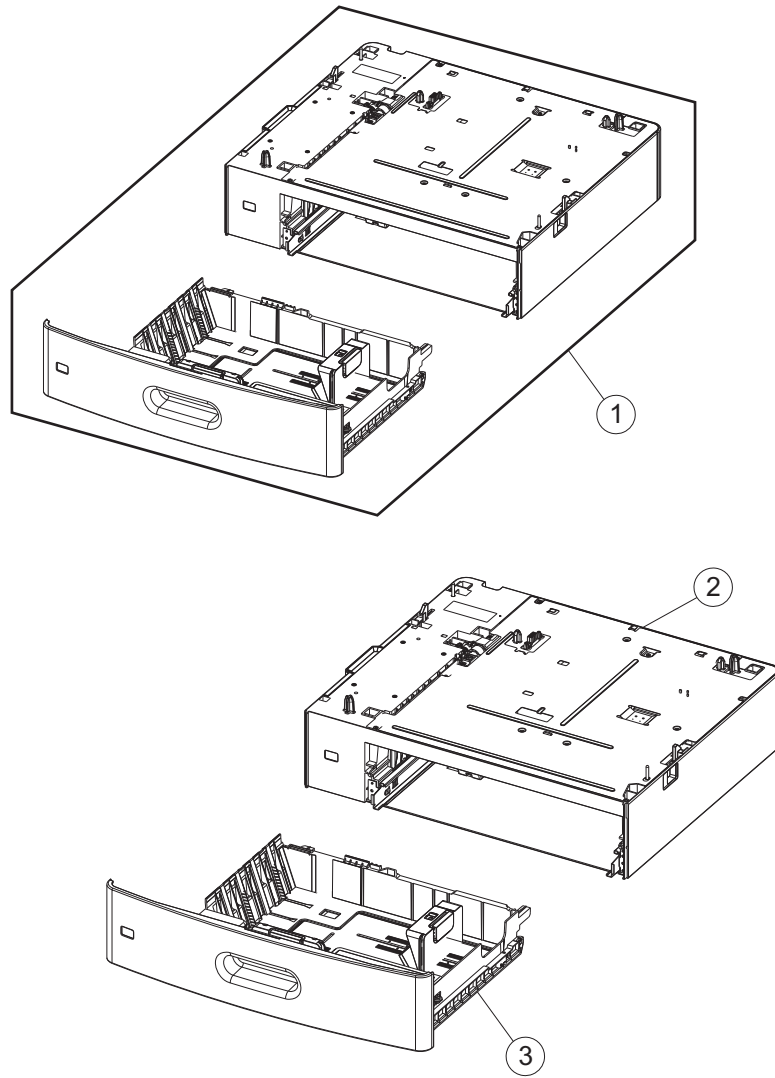


Next



Go Back

Assembly 6: Optional 550-sheet tray



Previous



Next



Go Back

Assembly 6: Optional 550-sheet tray

Index	P/N	Units/ opt	Units/ FRU	Description	Removal procedure
6—1	40X6967	1	1	550-sheet tray option	N/A
2	40X6102	1	1	550-sheet drawer assembly	“550-sheet drawer assembly removal” on page 4-166
3	40X6099	1	1	550-sheet media tray assembly	“550-sheet media tray assembly removal” on page 4-166

Previous

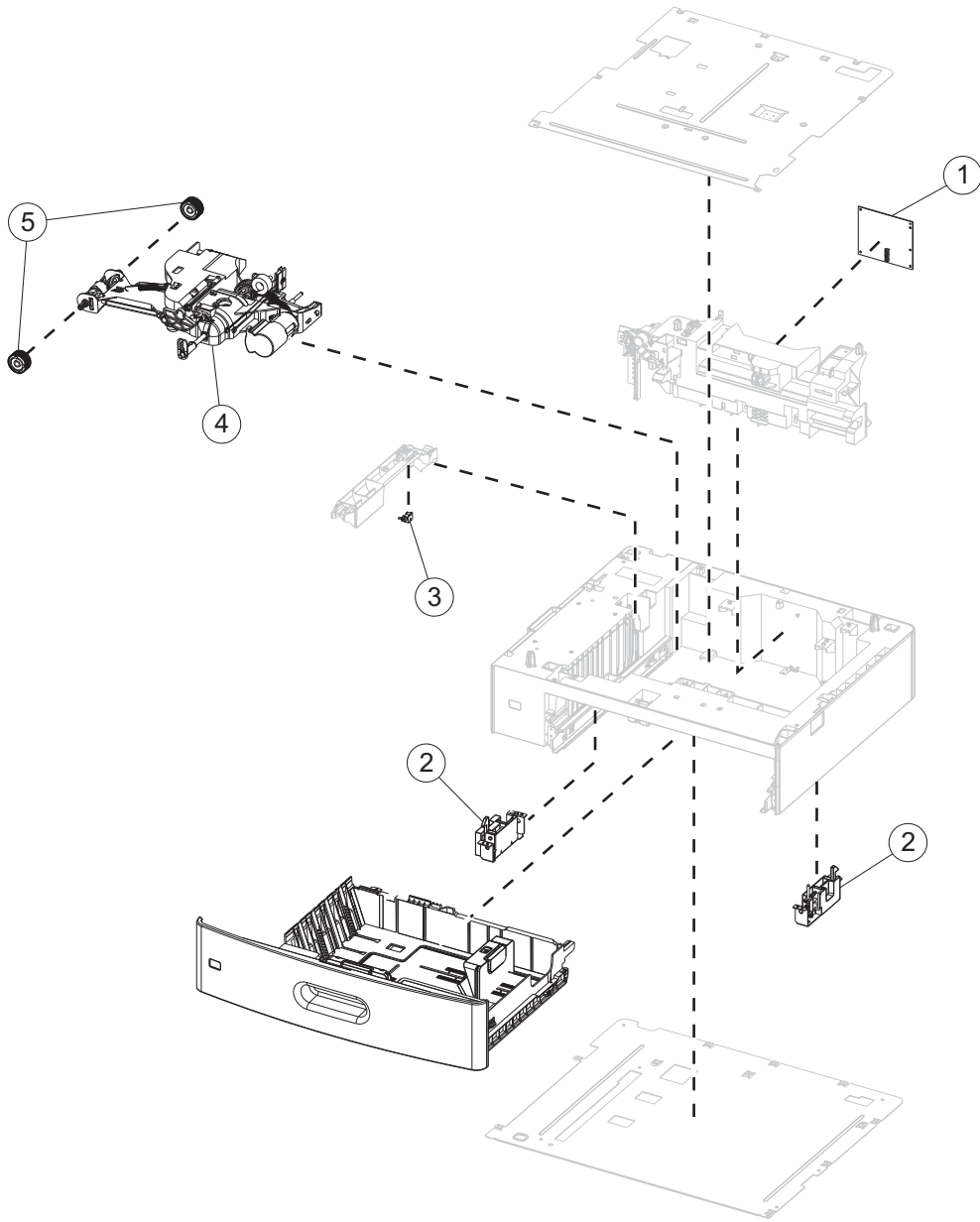


Next



Go Back

Assembly 7: Optional 550-sheet drawer assembly



Previous



Next



Go Back

Assembly 7: Optional 550-sheet drawer assembly

Index	P/N	Units/ opt	Units/ FRU	Description	Removal procedure
7—1	40X6100	1	1	550-sheet tray controller card assembly	“550-sheet tray controller card assembly removal” on page 4-167
2	40X6101	2	2	Anti-tip latch assembly	“550-sheet tray right anti-tip latch assembly removal” on page 4-182 and “550-sheet tray left anti-tip latch removal” on page 4-173
3	40X6274	1	3	550-sheet/2000-sheet input option sensor pack	“550-sheet tray pass thru sensor removal” on page 4-175
4	40X6103	1	1	550-sheet tray pick assembly	“550-sheet tray pick assembly removal” on page 4-176
5	40X6104	2	2	Pick roll assembly	“550-sheet tray pick roll assembly removal” on page 4-180

Previous

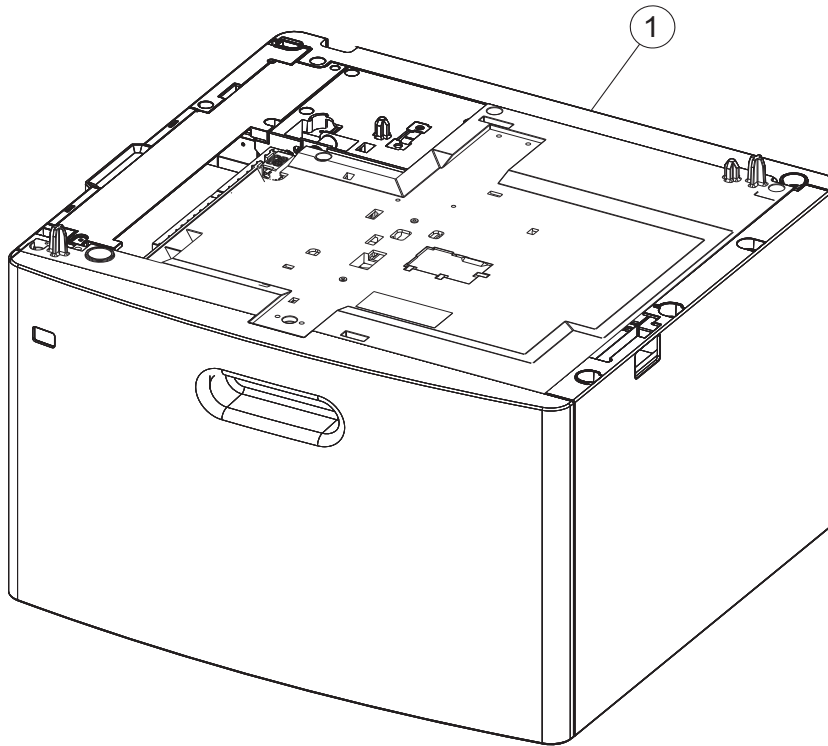


Next



Go Back

Assembly 8: Optional 2000-sheet high-capacity feeder (complete)



Previous



Next



Go Back

Assembly 8: Optional 2000-sheet high-capacity feeder (complete)

Index	P/N	Units/ opt	Units/ FRU	Description	Removal procedure
8—1	40X6968	1	1	2000-sheet high-capacity feeder media tray option	N/A

Previous

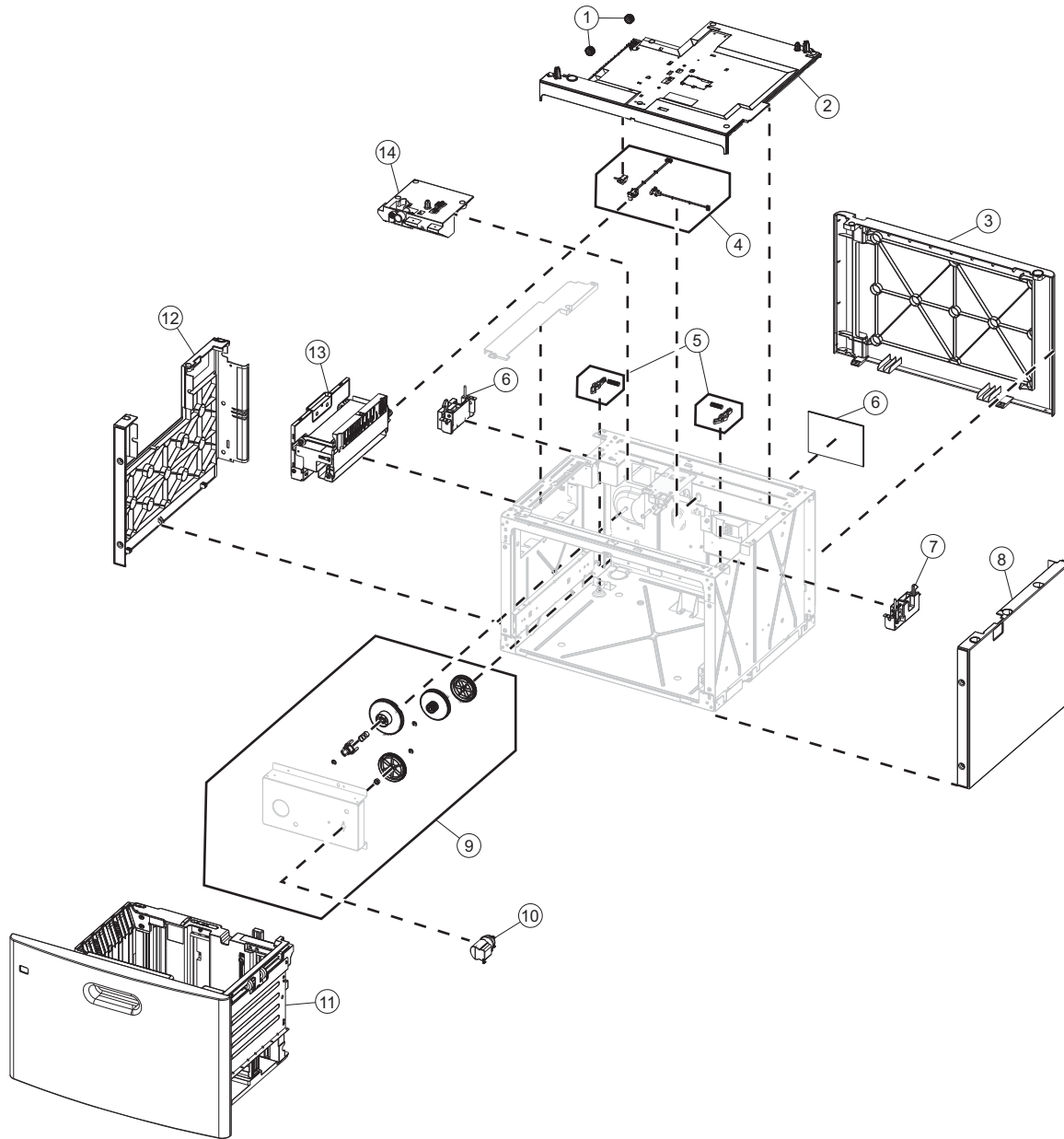


Next



Go Back

Assembly 9: Optional 2000-sheet high-capacity feeder



Previous



Next



Go Back

Assembly 9: Optional 2000-sheet high-capacity feeder

Index	P/N	Units/ opt	Units/ FRU	Description	Removal procedure
9—1	40X6275	2	2	2000-sheet high-capacity feeder pick roll assembly	“2000-sheet high-capacity feeder pick roll assembly removal” on page 4-224
2	40X6119	1	1	2000-sheet high-capacity feeder pick assembly	“2000-sheet high-capacity feeder pick assembly removal” on page 4-218
3	40X6972	1	1	2000-sheet high-capacity feeder rear cover	“2000-sheet high-capacity feeder rear cover removal” on page 4-228
4	40X6274	3	3	550-sheet/2000-sheet input option sensor pack	“2000-sheet high-capacity feeder pass thru sensor removal” on page 4-217 and “2000-sheet high-capacity feeder elevator home sensor removal” on page 4-190 and “2000-sheet high-capacity feeder jam door clearance sensor removal” on page 4-199
5	40X4585	2	1	Tray latch	“2000-sheet high-capacity feeder bellcrank assembly removal” on page 4-184
6	40X6276	1	1	2000-sheet high-capacity feeder controller card assembly	“2000-sheet high-capacity feeder controller card assembly removal” on page 4-185
7	40X6101	2	2	Anti-tip latch assembly	“2000-sheet high-capacity feeder right anti-tip latch assembly removal” on page 4-230 and “2000-sheet high-capacity feeder left anti-tip latch assembly removal” on page 4-202
8	40X6971	1	1	2000-sheet high-capacity feeder right cover	“2000-sheet high-capacity feeder right side cover removal” on page 4-231
9	40X6486	1	1	2000-sheet high-capacity feeder lift drive gear pack	“2000-sheet high-capacity feeder lift drive gear assembly removal” on page 4-206
10	40X6969	1	1	2000-sheet high-capacity feeder lift drive motor assembly	“2000-sheet high-capacity feeder lift drive motor assembly removal” on page 4-212
11	40X6115	1	1	2000-sheet high-capacity feeder media tray assembly	“2000-sheet high-capacity feeder media tray assembly removal” on page 4-215
12	40X6970	1	1	2000-sheet high-capacity feeder left cover	“2000-sheet high-capacity feeder left side cover removal” on page 4-204
13	40X6118	1	1	2000-sheet high-capacity feeder jam clearance cover	“2000-sheet high-capacity feeder jam clearance cover removal” on page 4-194
14	40X6116	1	1	2000-sheet high-capacity feeder drive assembly	“2000-sheet high-capacity feeder drive assembly removal” on page 4-186

Previous



Next



Go Back

Assembly 10: Finisher/High-capacity output stacker assembly

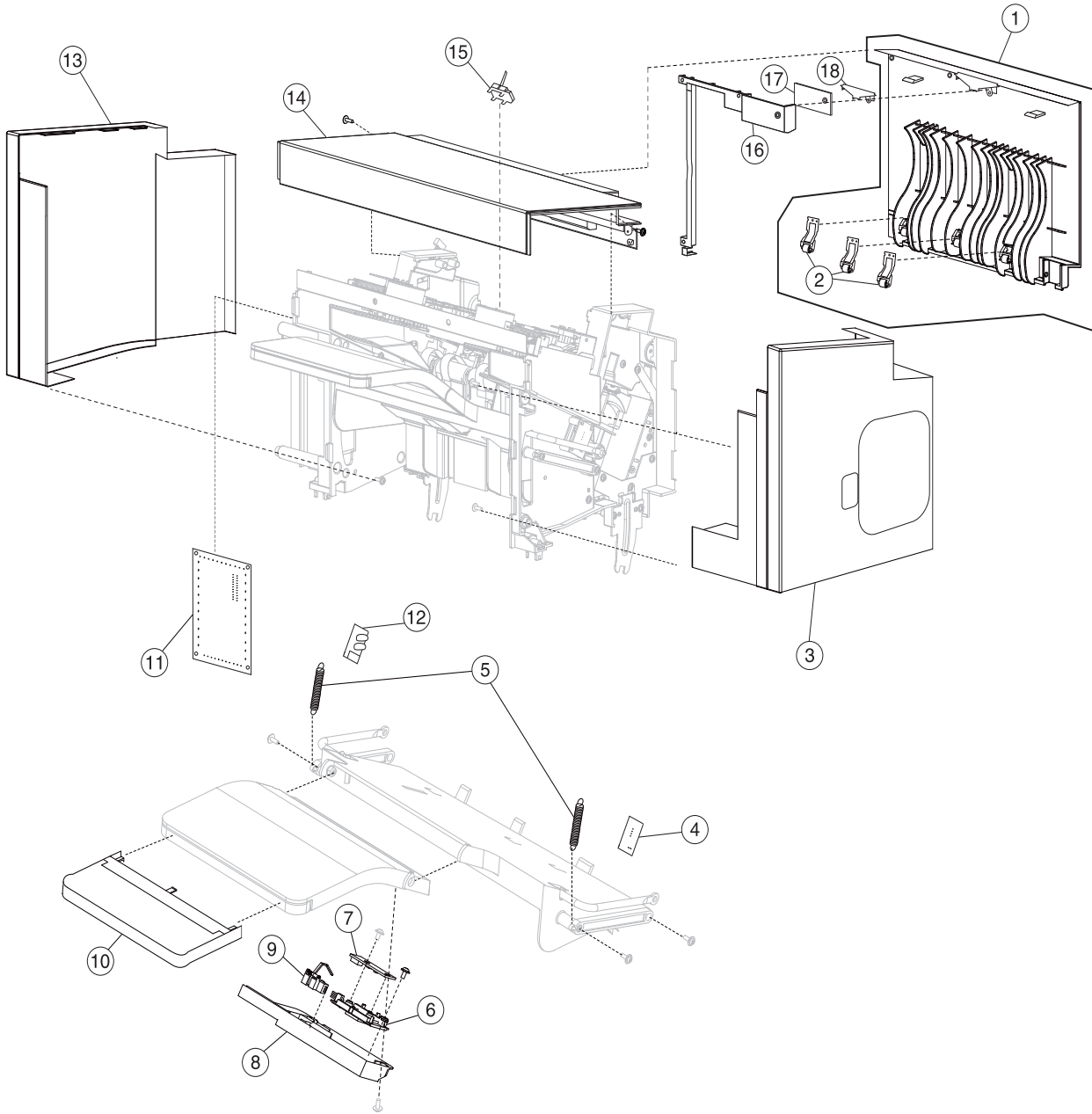
Previous



Next



Go Back



Assembly 10: Finisher/High-capacity output stacker assembly

Asm-Index	Part number	Units/mach	Units/FRU	Description	Removal procedure
10—1	40X7234	1	1	Left access door assembly	“Finisher or stacker left access door assembly removal” on page 4-262
2	40X7238	1	1	Backup redrive roller	“Finisher or stacker feed roller removal” on page 4-259
3	40X7231	1	1	Finisher rear cover	“Finisher or stacker rear cover removal” on page 4-269
3	40X7252	1	1	Stacker rear cover	“Finisher or stacker rear cover removal” on page 4-269
4	40X5544	1	1	Sensor (bin full receive)	“Finisher or stacker sensor (bin-full receive) removal” on page 4-271
5	40X7240	1	1	Finisher bin-full spring	“Finisher or stacker bin-full spring removal” on page 4-256
6	40X5727	1	1	LED clear lens	“Finisher or stacker standard output bin LED and LED lens removal” on page 4-277
7	40X5545	1	1	Standard output bin LED	“Finisher or stacker standard output bin LED and LED lens removal” on page 4-277
8	40X7239	1	1	Bottom cover	“Finisher or stacker bottom cover removal” on page 4-257
9	40X4618	1	1	Sensor (bin media present)	“Finisher or stacker sensor (finisher bin media present) removal” on page 4-273
10	40X4619	1	1	Output bin extension	“Finisher or stacker output bin extension removal” on page 4-266
11	40X7241	1	1	Finisher controller card assembly	“Finisher or stacker controller card assembly removal” on page 4-258
11	40X7253	1	1	Stacker controller card assembly	“Finisher or stacker controller card assembly removal” on page 4-258
12	40X4626	1	1	Sensor (bin full send)	“Finisher or stacker sensor (bin-full send) removal” on page 4-272
13	40X7232	1	1	Front cover	“Finisher or stacker front cover removal” on page 4-260
14	40X7233	1	1	Top cover	“Finisher or stacker top cover removal” on page 4-280
15	40X5906	1	1	Finisher sensor (pass thru)/Stacker sensor (pass thru)	“Finisher or stacker sensor (pass thru) removal” on page 4-275
16	40X7237	1	1	Beacon housing	“Finisher or stacker access door beacon LED and beacon housing removal” on page 4-255
17	40X4528	1	1	Left access beacon	“Finisher or stacker access door beacon LED and beacon housing removal” on page 4-255
18	40X7236	1	1	Beacon clear lens	“Finisher or stacker left access door assembly removal” on page 4-262

Previous



Next



Go Back

Assembly 10.1: Finisher/High-capacity output stacker assembly (continued)

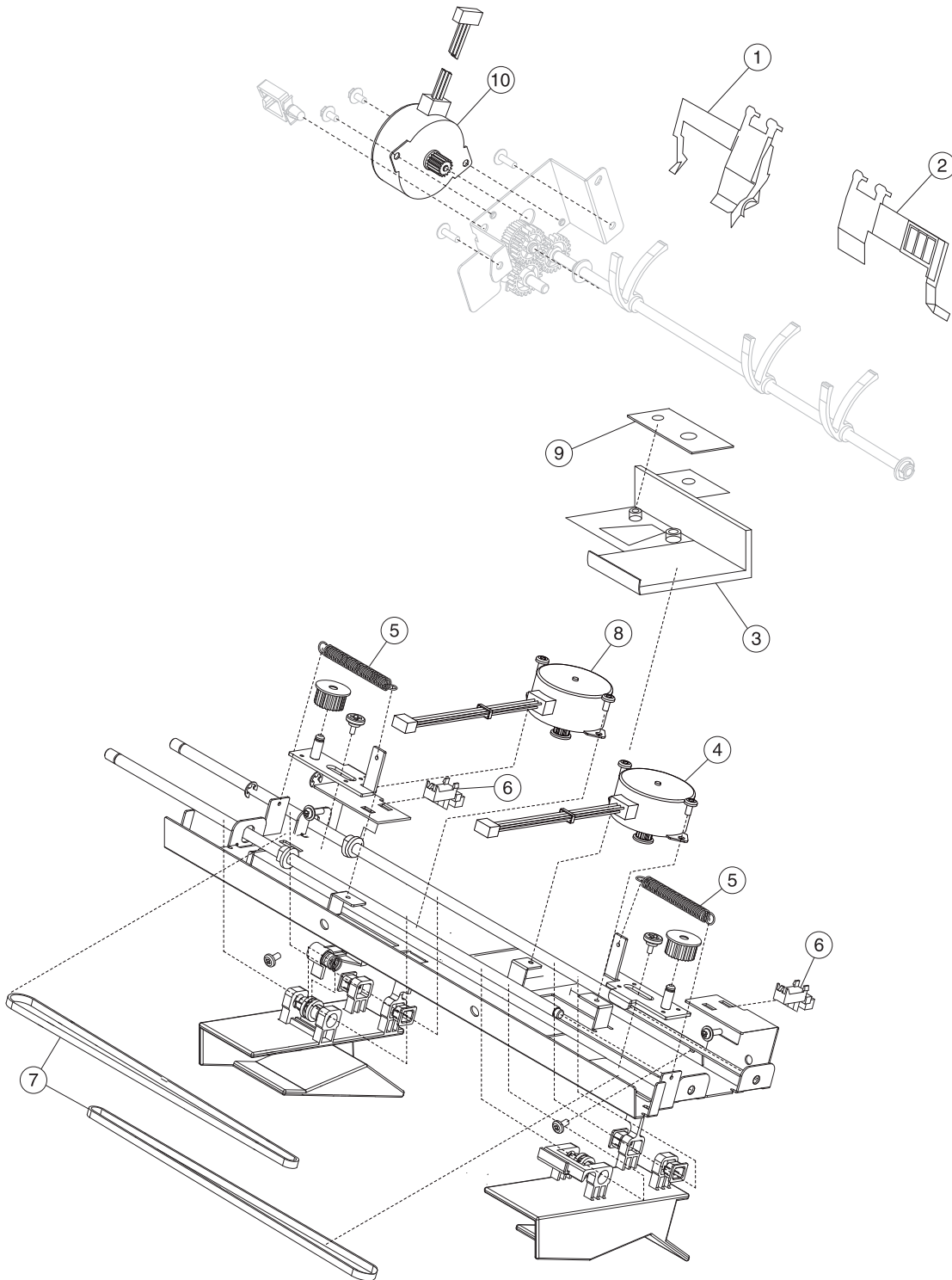
Previous



Next



Go Back



Assembly 10.1: Finisher/High-capacity output stacker assembly (continued)

Asm-Index	Part number	Units/mach	Units/FRU	Description	Removal procedure
10.1—1	40X7244	1	1	Rear media stack flap	“Finisher or stacker media stack flap and media stack flap actuator removal” on page 4-264
2	40X7245	1	1	Front media stack flap	“Finisher or stacker media stack flap and media stack flap actuator removal” on page 4-264
3	40X7243	1	1	LED clear lens	“Finisher or stacker output bin LED and LED lens removal” on page 4-266
4	40X4622	1	1	Rear tamper motor assembly	“Finisher or stacker tamper drive motor assembly removal” on page 4-278
5	40X4624	1	1	Tamper recoil spring	“Finisher or stacker tamper recoil spring removal” on page 4-279
6	40X5909	1	1	Sensor (tamper front and rear paddle)	“Finisher or stacker sensor (paddle HP) removal” on page 4-274
7	40X4623	1	1	Tamper drive belt	“Finisher or stacker tamper drive belt removal” on page 4-278
8	40X4621	1	1	Front tamper motor assembly	“Finisher or stacker tamper drive motor assembly removal” on page 4-278
9	40X5545	1	1	Output beacon card	“Finisher or stacker output bin LED and LED lens removal” on page 4-266
10	40X4615	1	1	Paddle drive motor	“Finisher or stacker paddle drive motor assembly removal” on page 4-267

Previous

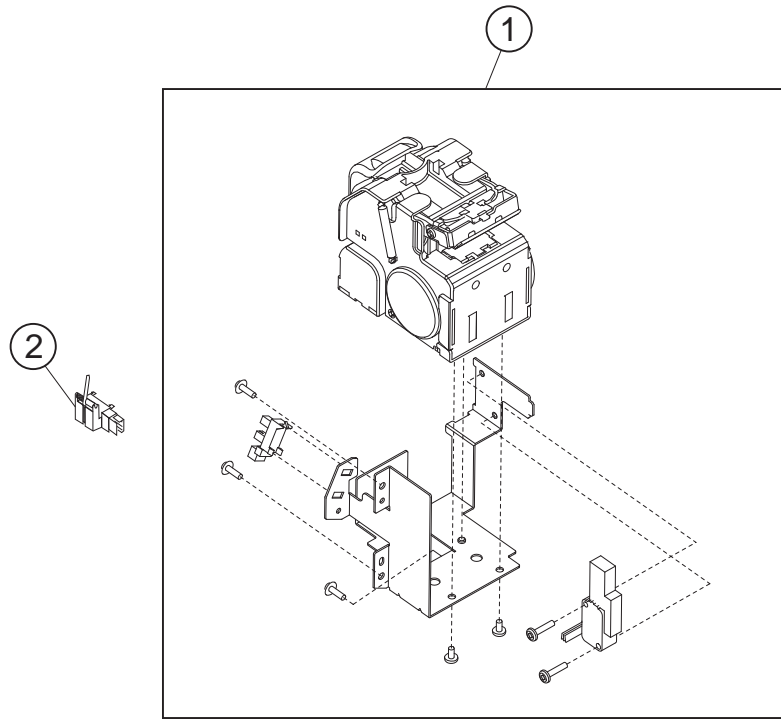


Next



Go Back

Assembly 11: Finisher stapler assembly



Previous



Next



Go Back

Assembly 11: Finisher stapler assembly

Asm-Index	Part number	Units/mach	Units/FRU	Description	Removal procedure
11—1	40X7246	1	1	Stapler assembly	“Finisher stapler unit assembly removal” on page 4-281
2	40X5909	1	1	Sensor (media in stapler)	“Finisher or stacker sensor (pass thru) removal” on page 4-275

Previous

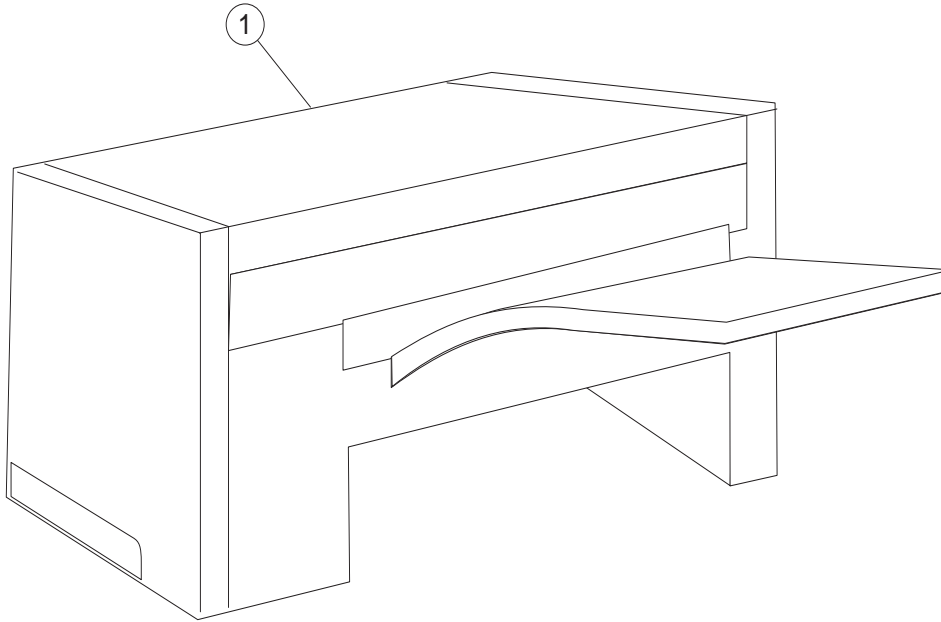


Next



Go Back

Assembly 12: Finisher/Stacker assembly (complete)



Previous



Next



Go Back

Assembly 12: Finisher/Stacker assembly (complete)

Asm-Index	Part number	Units/mach	Units/FRU	Description	Removal procedure
13—1	40X7230	1	1	Finisher assembly	N/A
1	40X7251	1	1	Stacker assembly	N/A

Previous

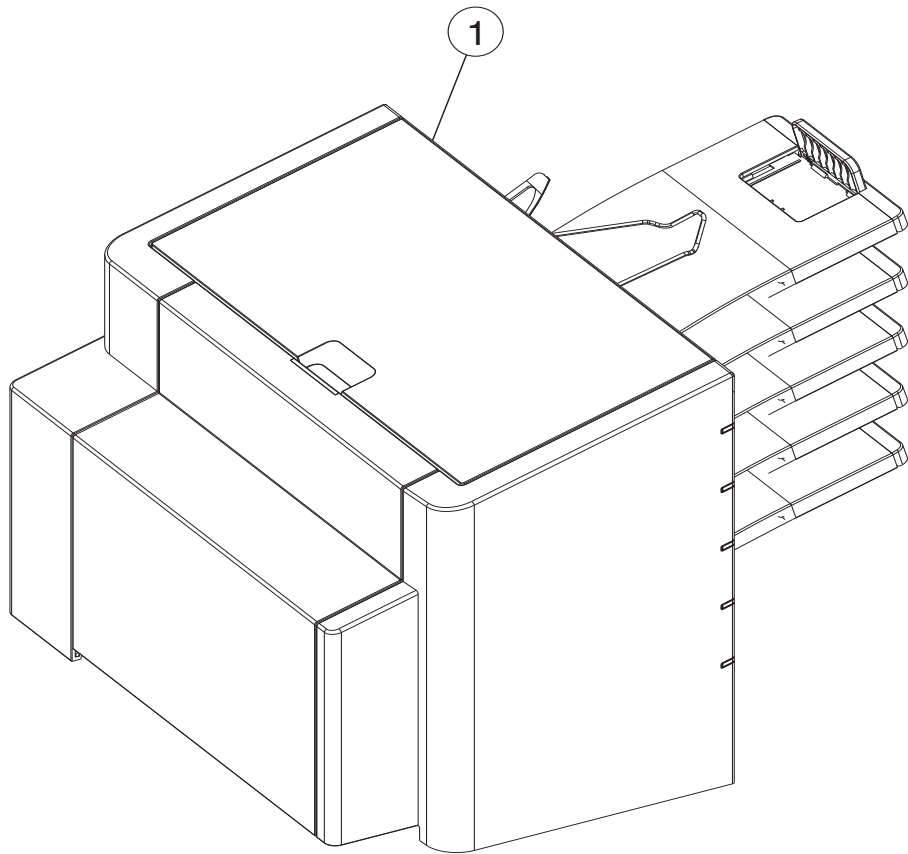


Next



Go Back

Assembly 13: 5-bin mailbox assembly (complete)



Previous



Next



Go Back

Assembly 13: 5-bin mailbox assembly (complete)

Index	P/N	Units/ mach	Units/ FRU	Description	Removal procedure
14—1	40X7254			5 bin mailbox total option	N/A

Previous

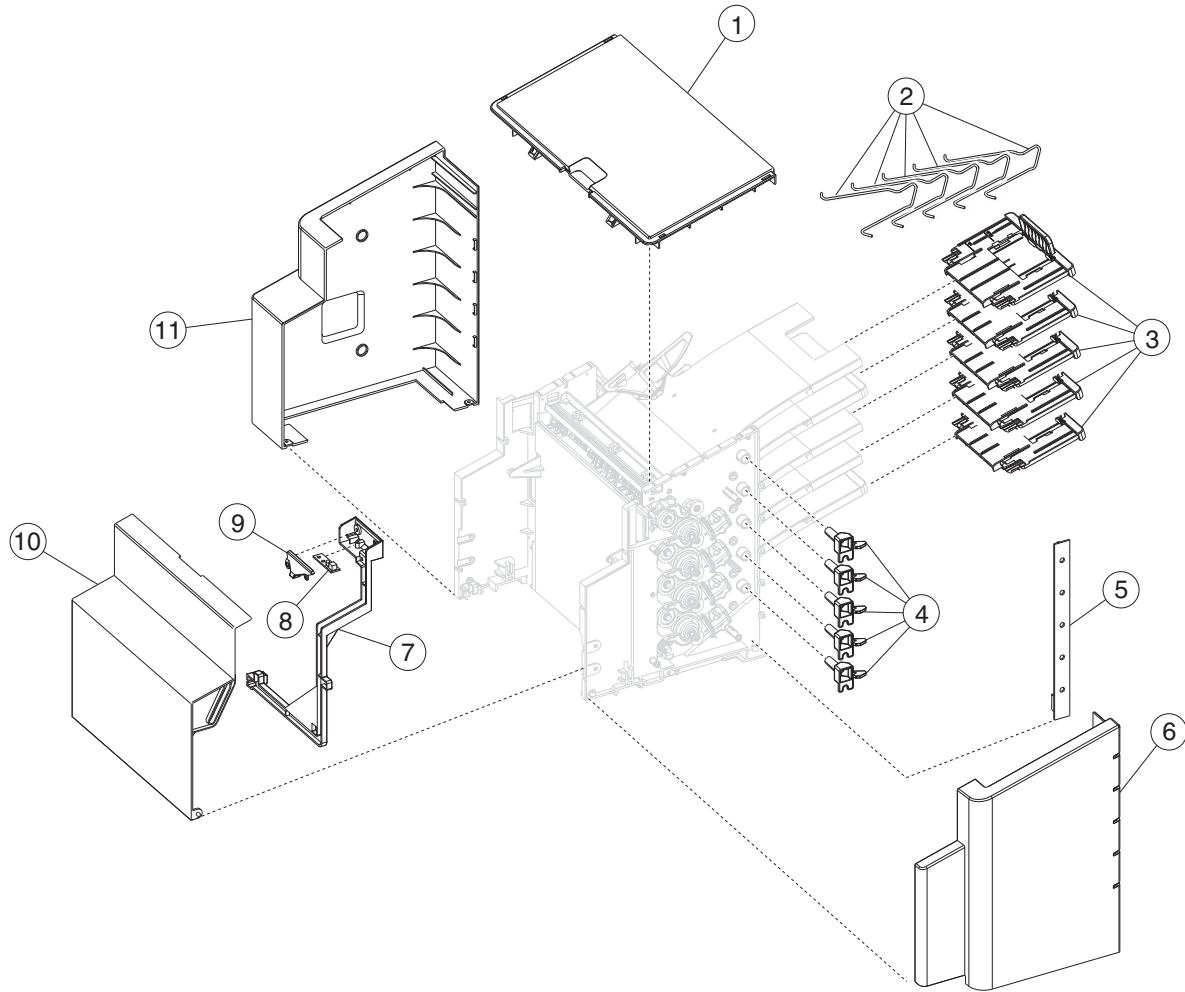


Next



Go Back

Assembly 14: 5-bin mailbox assembly (covers)



Previous



Next



Go Back

Assembly 14: 5-bin mailbox assembly (covers)

Index	P/N	Units/ mach	Units/ FRU	Description	Removal procedure
14—1	40X7272	1	1	Top cover	“5-bin mailbox top cover removal” on page 4-253
2	40X7266	1	1	Output bin paper bail	“5-bin mailbox output bin paper bail removal” on page 4-247
3	40X7267	1	1	Output bin extension cover	“5-bin mailbox tray extension removal” on page 4-254
4	40X7257	1	1	Output bin light pipe	“5-bin mailbox bin-full beacon card and light pipe removal” on page 4-237
5	40X7256	1	1	LED card assembly	“5-bin mailbox bin-full beacon card and light pipe removal” on page 4-237
6	40X7255	1	1	Front cover	“5-bin mailbox front cover removal” on page 4-242
7	40X7261	1	1	LED jam cover	“5-bin mailbox access door removal” on page 4-234
8	40X4528	1	1	Scanner reference LED cable assembly	“5-bin mailbox paper jam beacon removal” on page 4-249
9	40X7236	1	1	Beacon clear lens	“5-bin mailbox paper jam beacon removal” on page 4-249
10	40X7259	1	1	Jam access door assembly	“5-bin mailbox access door removal” on page 4-234
11	40X7270	1	1	Rear cover	“5-bin mailbox rear cover removal” on page 4-249

Previous

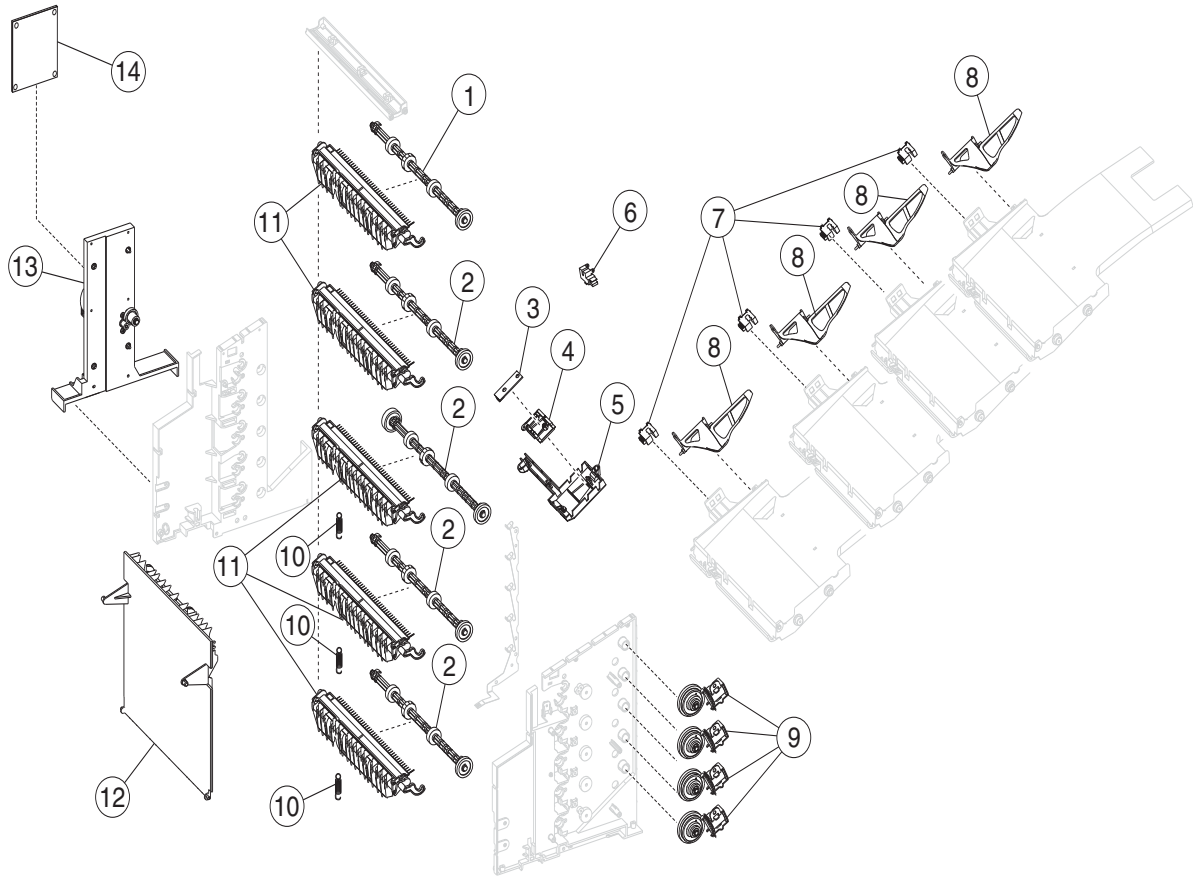


Next



Go Back

Assembly 15: 5-bin mailbox assembly (interior)



Previous



Next



Go Back

Assembly 15: 5-bin mailbox assembly (interior)

Index	P/N	Units/ mach	Units/ FRU	Description	Removal procedure
15—1	40X7263	1	1	Top output bin roller	“5-bin mailbox roller removal” on page 4-251
2	40X7264	1	1	1 thru 4 output bin roller	“5-bin mailbox roller removal” on page 4-251
3	40X5545	4	1	Output bin LED	“5-bin mailbox cave beacon removal” on page 4-237
4	40X5727	1	1	LED clear lens	“5-bin mailbox cave beacon removal” on page 4-237
5	40X4647	1	1	Output bin LED bracket	“5-bin mailbox cave beacon removal” on page 4-237
6	40X7265	1	1	Pass thru sensor	“5-bin mailbox sensor (pass thru) assembly removal” on page 4-252
7	40X4633	1	1	Bin full sensor	“5-bin mailbox output bin sensors removal” on page 4-248
8	40X7268	1	1	Bin full flag	“5-bin mailbox media bin full actuator removal” on page 4-244
9	40X4635	4	1	Deflector gate solenoid	“5-bin mailbox diverter solenoid removal” on page 4-239
10	40X5750	4	1	Diverter spring	“5-bin mailbox diverter spring removal” on page 4-240
11	40X7262	5	1	Output bin deflector	“5-bin mailbox output bin deflector removal” on page 4-246
12	40X7260	1	1	Backup roll plate	“5-bin mailbox backup roll plate assembly removal” on page 4-235
13	40X7269	1	1	Feed motor with bracket	“5-bin mailbox feed motor with plate removal” on page 4-241
14	40X7271	1	1	Controller card	“5-bin mailbox controller card removal” on page 4-238

Previous

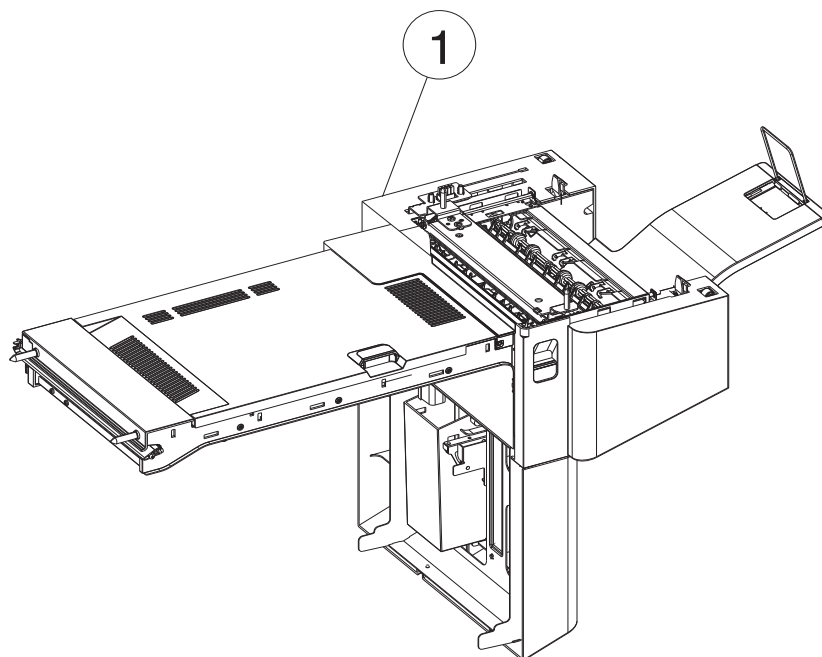


Next



Go Back

Assembly 16: HTU (complete)



Previous



Next



Go Back

Assembly 16: HTU (complete)

Index	P/N	Units/ mach	Units/ FRU	Description	Removal procedure
16—1	40X7275	1	1	Redrive unit, total asm	N/A

Previous

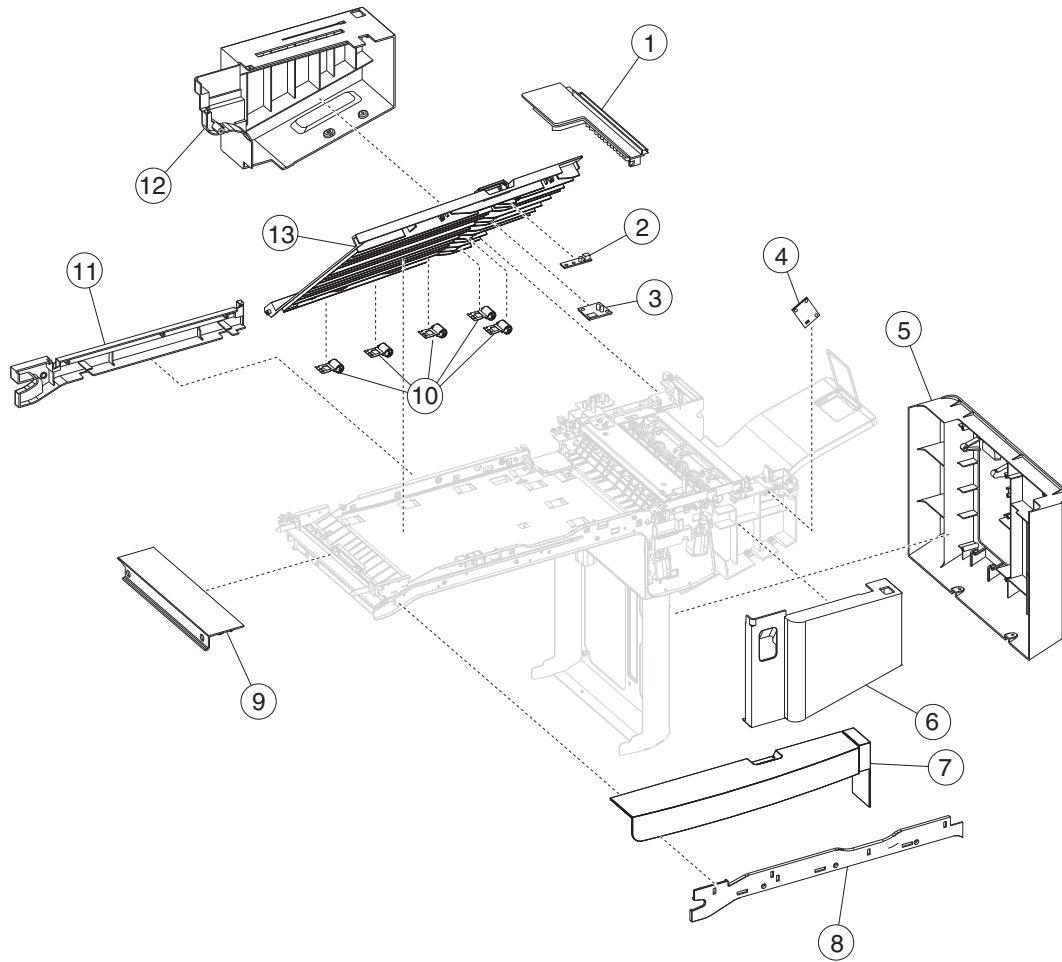


Next



Go Back

Assembly 17: HTU (covers)



Previous



Next



Go Back

Assembly 17: HTU (covers)

Index	P/N	Units/ mach	Units/ FRU	Description	Removal procedure
17—1	40X7287	1	1	HTU top right cover	“HTU top right cover removal” on page 4-329
2	40X4528	1	1	HTU access door beacon card	“HTU access door paper jam beacon (with cover and cable) removal” on page 4-283
3	40X5544	1	1	Receive PCBA (transparency detect)	“HTU access door paper jam beacon (with cover and cable) removal” on page 4-283
4	40X5544	2	1	Receive PCBA (bin full)	“HTU card (bin-full send card and lens) removal” on page 4-288
5	40X7285	1	1	HTU right bottom cover	“HTU right bottom cover removal” on page 4-315
6	40X7280	1	1	HTU front standard bin cover	“HTU front standard bin cover removal” on page 4-294
7	40X7274	1	1	HTU outer front cover (AIO only)	“HTU outer front cover removal (AIO only)” on page 4-310
8	40X7279	1	1	HTU front redrive cover	“HTU front redrive cover removal” on page 4-293
9	40X7286	1	1	HTU top redrive cover	“HTU top redrive cover removal” on page 4-328
10	40X7277	5	2	HTU access door rollers	“HTU access door rollers removal” on page 4-284
11	40X7258	1	1	HTU rear redrive cover	“HTU rear redrive cover removal” on page 4-310
12	40X7283	1	1	HTU rear standard bin cover	“HTU rear standard bin cover removal” on page 4-312
13	40X7276	1	1	HTU access door	“HTU access door removal” on page 4-282

Previous

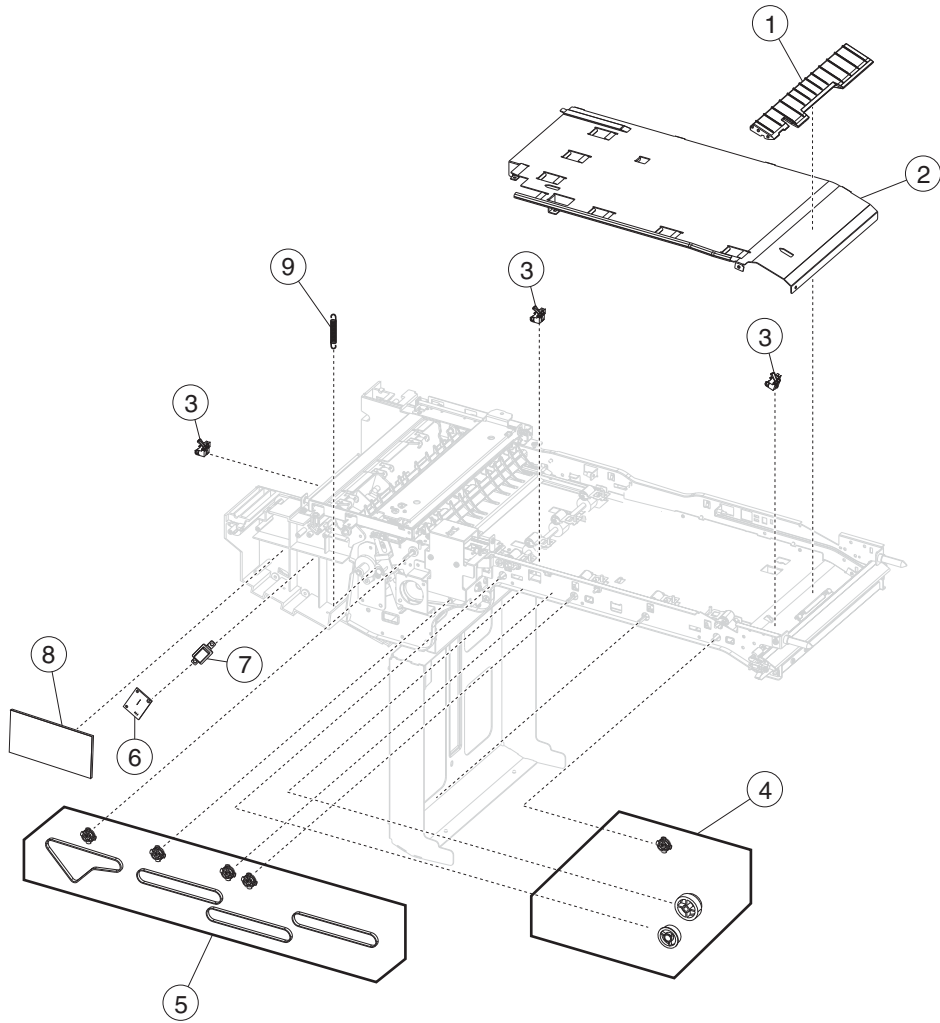


Next



Go Back

Assembly 18: HTU (left interior)



Previous



Next



Go Back

Assembly 18: HTU (left interior)

Index	P/N	Units/ mach	Units/ FRU	Description	Removal procedure
18—1	40X7305	1	1	HTU upper redrive guide	“HTU upper guide removal” on page 4-332
2	40X7312	1	1	HTU lower redrive guide	“HTU lower redrive guide removal” on page 4-297
3	40X7314	3	1	HTU input sensor HTU 2nd sensor HTU output sensor	“HTU sensor (input) removal” on page 4-322 “HTU sensor (second) removal” on page 4-324 “HTU output sensor removal” on page 4-309
4	40X7324	1	1	Drive motor gears parts pkt <ul style="list-style-type: none"> • M6 e-clip • 4 mm e-clip • Redrive pulley • Pulley gear • Idler roller 	“HTU transport gear removal” on page 4-330
5	40X7288	1	1	HTU belts/pulley parts pkt	“HTU drive belt removal” on page 4-290 and “HTU timing belts (rear) removal” on page 4-326
6	40X4626	1	1	HTU bin full send card	“HTU card (bin-full send card and lens) removal” on page 4-288
7	40X7315	2	1	HTU bin full send/rec lens	“HTU card (bin-full receive card and lens) removal” on page 4-287
8	40X7302	1	1	HTU controller card	“HTU controller card removal” on page 4-289
9	40X7316	1	1	HTU drive gear spring	“HTU drive gear spring removal” on page 4-291

Previous

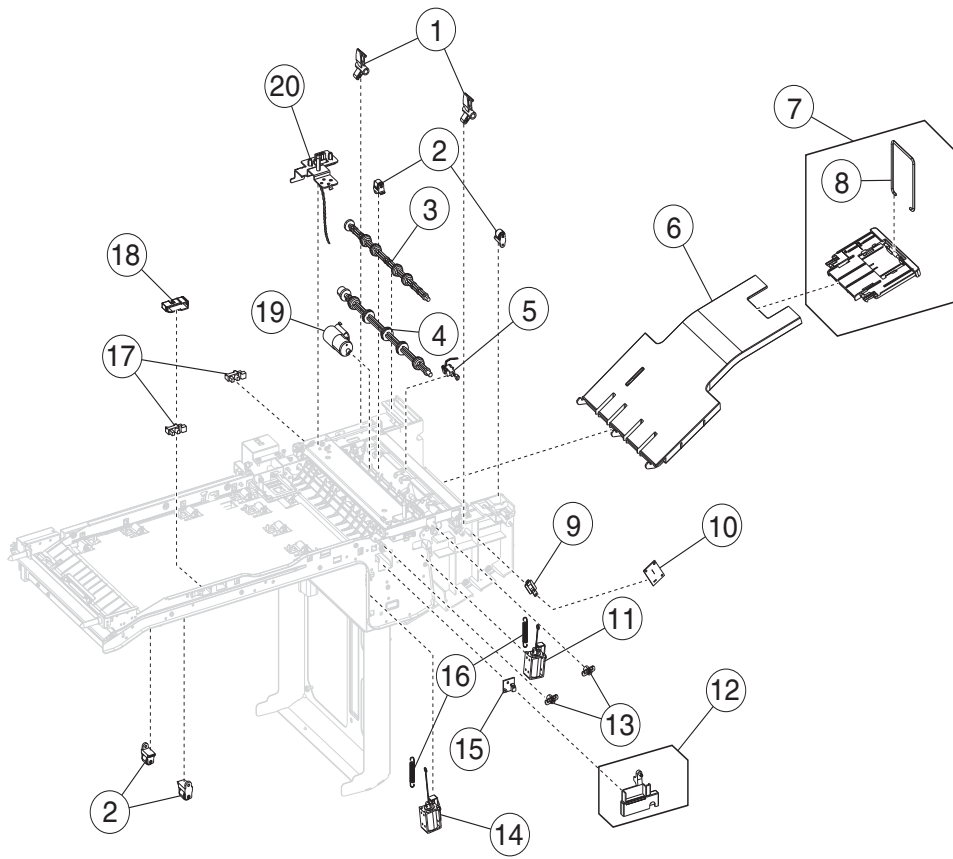


Next



Go Back

Assembly 19: HTU (right interior)



Previous



Next



Go Back

Assembly 19: HTU (right interior)

Index	P/N	Units/ mach	Units/ FRU	Description	Removal procedure
19—1	40X7304	2	1	HTU output option with spring hook • Spring torsion hook front	“HTU option hook removal” on page 4-300
2	40X7303	4	2	HTU (engage/output option) roller	“HTU engagement roller removal” on page 4-292 and “HTU option roller removal” on page 4-302
3	40X7319	1	1	HTU upper exit shaft	“HTU upper exit shaft removal” on page 4-331
4	40X7318	1	1	HTU exit roller	“HTU exit roller removal” on page 4-293
5	40X4618	1	1	HTU empty bin sensor	“HTU sensor (empty bin) removal” on page 4-321
6	40X7307	1	1	HTU output bin	“HTU output bin removal” on page 4-303
7	40X7306	1	1	HTU output bin extension	“HTU output bin extension removal” on page 4-303
8	40X7308	1	1	HTU output bin stop	“HTU output bin wire stop removal” on page 4-305
9	40X7315	2	1	HTU bin full send/receive lens	“HTU card (bin-full receive card and lens) removal” on page 4-287
10	40X5544	1	1	HTU bin full receive PCBA	“HTU card (bin-full receive card and lens) removal” on page 4-287
11	40X7310	1	1	HTU output bin divert solenoid	“HTU output bin solenoid removal” on page 4-304
12	40X7281	1	1	HTU locking lever	“HTU locking lever removal” on page 4-295
13	40X7311	1	1	HTU stop diverter	“HTU stopper diverter removal” on page 4-325
14	40X7309	1	1	HTU output option diverter solenoid	“HTU output option solenoid removal” on page 4-308
15	40X7282	1	1	HTU locking lever PCBA	“HTU locking lever card removal” on page 4-297
16	40X7300	2	1	HTU diverter gate spring	“HTU bin diverter gate spring removal” on page 4-286 and “HTU bin media exit spring removal” on page 4-286
17	40X7313	2	1	HTU access door sensor HTU output option position sensor	“HTU sensor (access door interlock) removal” on page 4-320 “HTU sensor (output option position) removal” on page 4-323
18	40X7278	1	1	HTU sensor housing	“HTU sensor (access door interlock) removal” on page 4-320
19	40X7317	1	1	HTU transport motor	“HTU transport motor removal” on page 4-331
20	40X7284	1	1	HTU output option guide	“HTU output option guide removal” on page 4-308

Previous

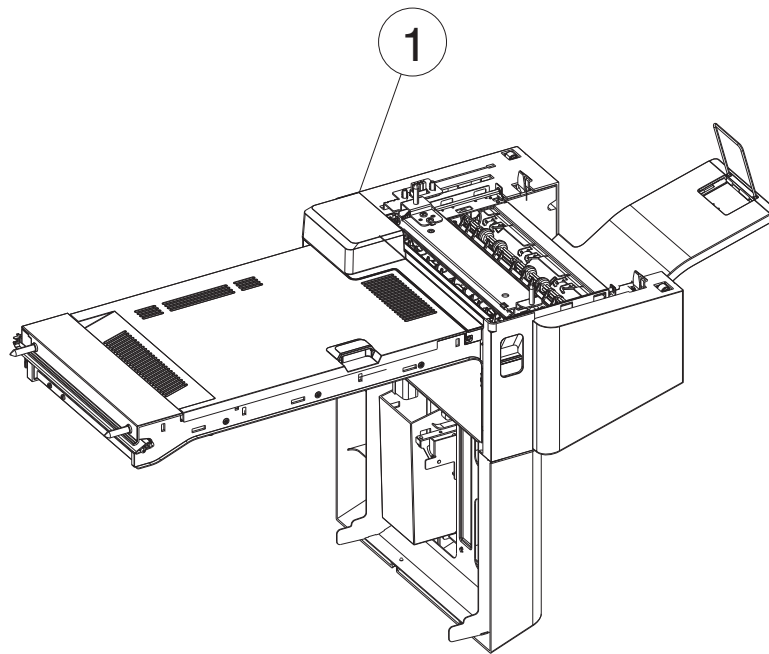


Next



Go Back

Assembly 20: HTU with hole punch (complete)



Previous



Next



Go Back

Assembly 20: HTU with hole punch (complete)

Index	P/N	Units/ mach	Units/ FRU	Description	Removal procedures
20-1	40X7235	1	1	Redrive unit with hole punch, total assembly	N/A

Previous

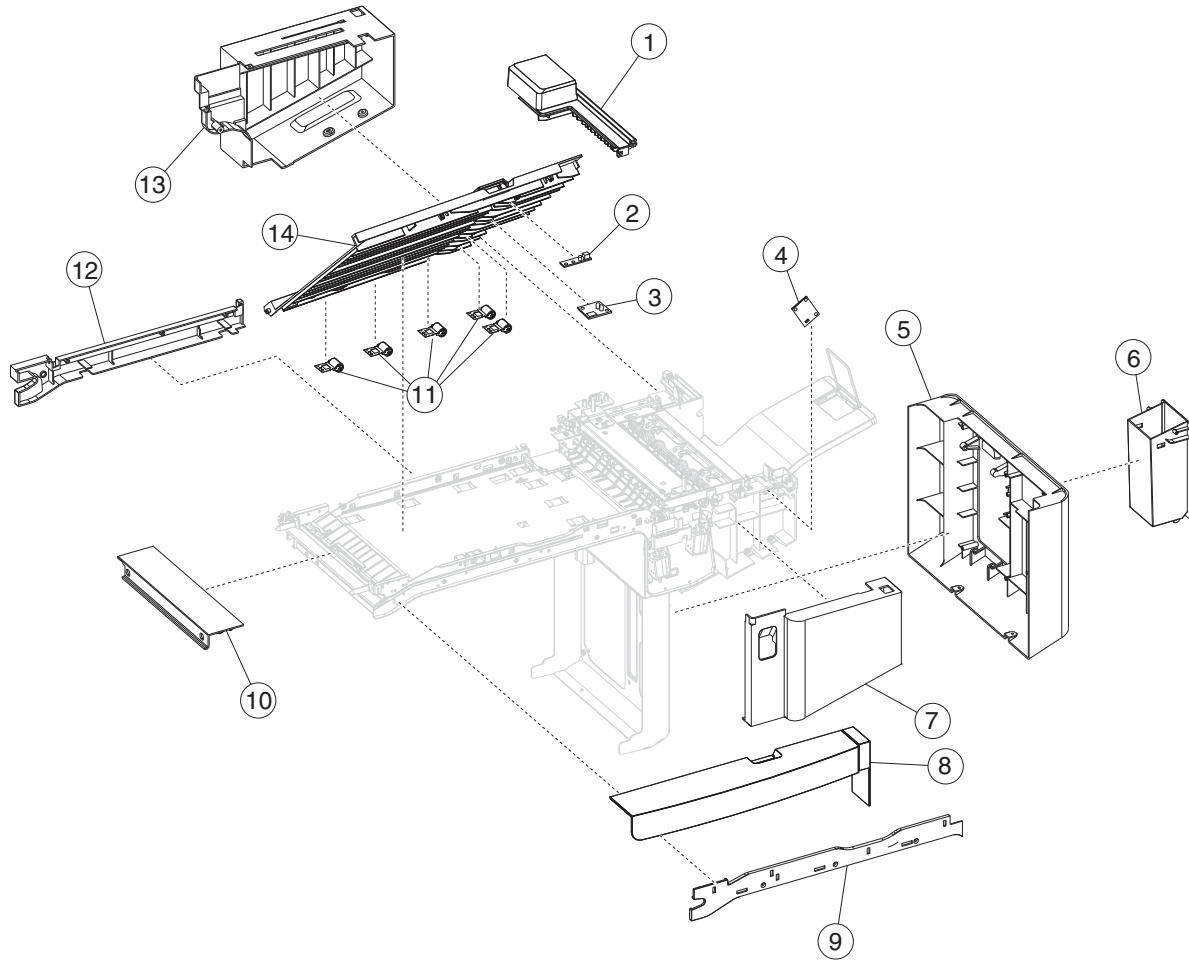


Next



Go Back

Assembly 21: HTU with hole punch (covers)



Previous



Next



Go Back

Assembly 21: HTU with hole punch (covers)

Index	P/N	Units/ mach	Units/ FRU	Description	Removal procedures
21—1	40X7326	1	1	HTU with hole punch, top right cover	“HTU top right cover removal” on page 4-329
2	40X4528	1	1	HTU access door beacon card	“HTU access door paper jam beacon (with cover and cable) removal” on page 4-283
3	40X5544	1	1	Receive PCBA (transparency detect)	“HTU access door paper jam beacon (with cover and cable) removal” on page 4-283
4	40X5544	2	1	Receive PCBA (bin full)	“HTU card (bin-full send card and lens) removal” on page 4-288
5	40X7289	1	1	HTU with hole punch, right bottom cover	“HTU right bottom cover removal” on page 4-315
6	40X7299	1	1	Chad hopper	“HTU right bottom cover removal” on page 4-315
7	40X7280	1	1	HTU front standard bin cover	“HTU front standard bin cover removal” on page 4-294
8	40X7274	1	1	HTU outer front cover (AIO only)	“HTU outer front cover removal (AIO only)” on page 4-310
9	40X7279	1	1	HTU front redrive cover	“HTU front redrive cover removal” on page 4-293
10	40X7286	1	1	HTU top redrive cover	“HTU top redrive cover removal” on page 4-328
11	40X7277	5	2	HTU access door rollers	“HTU access door rollers removal” on page 4-284
12	40X7258	1	1	HTU rear redrive cover	“HTU rear redrive cover removal” on page 4-310
13	40X7283	1	1	HTU rear standard bin cover	“HTU rear standard bin cover removal” on page 4-312
14	40X7276	1	1	HTU access door	“HTU access door removal” on page 4-282

Previous

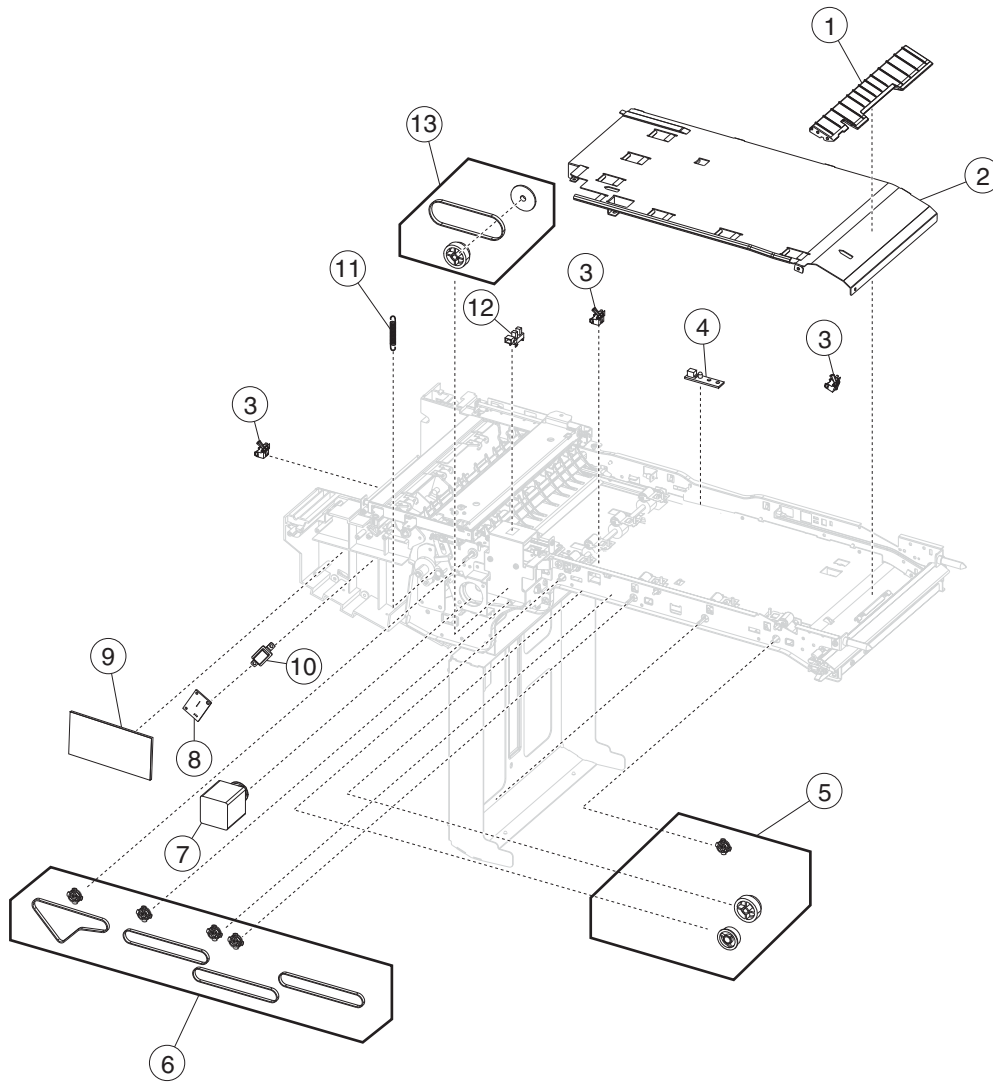


Next



Go Back

Assembly 22: HTU with hole punch (left interior)



Previous



Next



Go Back

Assembly 22: HTU with hole punch (left interior)

Index	P/N	Units/ mach	Units/ FRU	Description	Removal procedure
22—1	40X7305	1	1	HTU upper redrive guide	“HTU upper guide removal” on page 4-332
2	40X7312	1	1	HTU lower redrive guide	“HTU lower redrive guide removal” on page 4-297
3	40X7314	3	1	HTU input sensor HTU 2nd sensor HTU output sensor	“HTU sensor (input) removal” on page 4-322 “HTU sensor (second) removal” on page 4-324 “HTU output sensor removal” on page 4-309
4	40X4626	1	1	Send PCBA (transparency detect)	“HTU access door paper jam beacon (with cover and cable) removal” on page 4-283
5	40X7324	1	1	Drive motor gears parts pkt	“HTU transport gear removal” on page 4-330
6	40X7288	1	1	HTU belts/pulley parts pkt	“HTU drive belt removal” on page 4-290 and “HTU timing belts (rear) removal” on page 4-326
7	40X7327	1	1	Punch motor	“HTU punch motor removal” on page 4-334
8	40X4626	1	1	HTU bin full send card	“HTU card (bin-full send card and lens) removal” on page 4-288
9	40X7302	1	1	HTU controller card	“HTU controller card removal” on page 4-289
10	40X7315	2	1	HTU bin full send/rec lens	“HTU card (bin-full send card and lens) removal” on page 4-288
11	40X7316	1	1	HTU drive gear spring	“HTU drive gear spring removal” on page 4-291
12	40X7224	1	1	Hole punch with sensor	“HTU punch unit removal” on page 4-336
13	40X7228	1	1	Punch gears and belt	“HTU punch gear removal” on page 4-337

Previous



Next



Go Back

Assembly 23: Miscellaneous

P/N	Units/ FRU	Description	Removal procedure	
40X7163	5	Sensors parts packet, including <ul style="list-style-type: none"> • Waste toner sensors (2) • Paper auto size sensor • Paper path sensor (not shown) • Bin-full sensor (not shown) 	<p>“Waste toner sensor removal” on page 4-159</p> <p>“Waste toner full sensor removal” on page 4-162</p> <p>“Paper auto-size sensor removal” on page 4-117</p> <p>“Staging deflector assembly removal” on page 4-140</p> <p>“Bin-full sensor removal” on page 4-38</p>	
40X7167	1	EP and cartridge cables parts packet, including <ul style="list-style-type: none"> • BLDC K & ITU cable • BLDC Y & Fuser cable • BLDC C & M cable • M+K Cart Metering cable • C+Y Cart Metering cable 	For cable descriptions and locations, see “Cable and thermistor location table” on page 7-55.	
40X7168	1	Cables parts packet, including <ul style="list-style-type: none"> • Paper path • MPF sensor • Tray 1 machine side • Duplex motor • Staging motor • Thermistor & redrive • HVPS cable • Option bottom • Ground • Duplex door beacon side • Ref edge ground • Blower & right side waste • Duplexer • Waste toner full 		
40X7169	1	OP panel cables parts packet, including <ul style="list-style-type: none"> • Front host USB • Card reader • Panel USB • User interface card 		
40X7170	1	Beacon cables parts packet, including <ul style="list-style-type: none"> • Waste toner • Bin-full & output beacon • Front door beacon 		
40X7171	1	Thermistors parts packet, including <ul style="list-style-type: none"> • Thermistor—weather station comp • Fuser thermal guide assembly 		
40X7173	140	Screws and fasteners parts packet		For screw descriptions and locations, see “Screw and retainer identification table” on page 7-59.
40X7175	24	Cable ties parts packet		N/A
40X7176	5	Cable retainer parts packet	N/A	
40X7177	5	Cable retainer parts packet (holds thermistor on LVPS)	N/A	
40X7107	1	Printer relocation kit	N/A	
40X7323	1	Duplex door sensors parts pkt <ul style="list-style-type: none"> • Fuser bubble sensor • D1/D2 sensor 	“Sensor (D1, D2, and fuser bubble) removal” on page 4-137	



Assembly 23: Miscellaneous

P/N	Units/ FRU	Description	Removal procedure
40X7248	1	Finisher/Stacker cable parts pkt <ul style="list-style-type: none"> • Standard bin LED cable • Exit tray LED cable • Full/Near sensor cable • Jam door LED cable 	N/A
40X7250	1	Output options screws	N/A
40X7320	1	HTU cable parts pack <ul style="list-style-type: none"> • Full/Near sensor cable • HTU to printer cable • Sensor exit cable • Feeder sensor cable • Jam latch cable • Jam access door sensor cable • Jam access door sensor #2 cable • Jam door LED cable 	N/A
40X7273	1	Mailbox cable parts pack <ul style="list-style-type: none"> • Bin full sensor cable • Exit tray LED cable • Tray LED cable • Jam door LED cable • Option to printer cable 	N/A
40X7325	1	Tamper full cable	N/A
40X7154	1	Output options relocation kit	N/A
40X7249	1	Stapler unique cables <ul style="list-style-type: none"> • 10P stapler unit cable • 12P stapler tamper cable 	N/A
40X7297	1	Hole punch cable	N/A

Previous



Next



Go Back

Assembly 24: Internal options

Index	P/N	Units/ mach	Units/ FRU	Description
NS	40X6919	1	1	IPDS SCS card
NS	40X6874	1	1	Forms & bar code card
NS	40X6920	1	1	PRESCRIBE card
NS	40X4819	1	1	Serial interface adapter
NS	40X4823	1	1	Parallel 1284-B SERI adapter
NS	40X4826	1	1	MarkNet™ N8120 10/1000 card
NS	40X4827	1	1	MarkNet N8130 10/1000 F adapter
NS	40X5301	1	1	256MB DDR DRAM DIMM
NS	40X5302	1	1	512MB DDR DRAM DIMM
NS	40X5303	1	1	1GB DDR DRAM DIMM
NS	40X5704	1	1	256MB NAND flash card
NS	40X5969	1	1	Korean font card
NS	40X5970	1	1	Simplified Chinese font card
NS	40X5971	1	1	Traditional Chinese font card
NS	40X5972	1	1	Japanese font card
NS	40X6337	1	1	Arabic font card
NS	40X7058	1	1	160GB hard drive
NS	40X7062	1	1	MarkNet N8250 802.11g US server
NS	40X7063	1	1	MarkNet N8250 802.11g RW server
NS	40X7051	1	1	Printcrypton card

Previous



Next



Go Back

Cable and thermistor location table

Using the following table, locate the part you need to replace, and then go to the listed removal to find instructions for accessing the cable or thermistor.

Cable location table

P/N	item number	Description	Location	To access
40X7165	10J0938	Fuser system card and LVPS cable	Fuser <ul style="list-style-type: none"> System board connector: JFSR1 	See “Fuser system card and LVPS cable removal” on page 4-67.
40X7166	10J0944	ITU autoconnect cable	Right frame <ul style="list-style-type: none"> System board connector: JITM1 	See “ITU autoconnect removal” on page 4-78.
40X7167	10J0930	BLDC K & ITU cable	EP drive <ul style="list-style-type: none"> System board connector: JK11 	See “EP drive assembly removal” on page 4-56. Note: Use cable ties to attach the toroids to the new cables as you replace them.
	10J0931	BLDC Y & fuser cable	EP drive <ul style="list-style-type: none"> System board connector: JYF1 	
	10J0932	BLDC C & M cable	EP drive <ul style="list-style-type: none"> System board connector: JCM1 	
	10J0940	M+K cartridge metering cable	Cartridge memory blocks <ul style="list-style-type: none"> System board connector: JCMKM1 	See “Cartridge metering cable removal” on page 4-46.
	10J0955	C+Y cartridge metering cable	Cat ridge memory blocks <ul style="list-style-type: none"> System board connector: JCMCY1 	

Previous



Next



Go Back

Cable location table

P/N	item number	Description	Location	To access
40X7168	10J0927	Paper path cables	Deflector assembly <ul style="list-style-type: none"> System board connector: JPP2 	<ol style="list-style-type: none"> Remove the lower frame cable cover. See "Lower frame cable cover removal" on page 4-16. Remove the staging deflector assembly. See "Staging deflector assembly removal" on page 4-140. Remove the LVPS to route the cable through the hole in the lower frame. See "Low-voltage power supply (LVPS) removal" on page 4-86.
	10J0929	MPF sensor cable	Multipurpose feeder <ul style="list-style-type: none"> System board connector: JMPF1 	<ol style="list-style-type: none"> Remove the MPF sensor plate assembly. See "MPF sensor plate assembly removal" on page 4-108. Remove the LVPS exit duct to route the cable through the hole in the lower frame. See "LVPS exit duct removal" on page 4-89.
	10J0933	Autocomp W2W cable	Behind Tray 1, between MPF redrive gears and rear frame <ul style="list-style-type: none"> System board connector: JTRAY1 	See " MPF drive assembly removal " on page 4-106.
	10J0935	Duplex motor cable	Left access door <ul style="list-style-type: none"> System board connector: JDUPL1 	See " Staging paper path reference edge assembly removal " on page 4-142.
	10J0936	Staging motor cable	Left access door System board connector: JSTAG1	See " Staging paper path reference edge assembly removal " on page 4-142. Note: Use a cable tie to attach the toroid to the new cable and frame bracket.

Previous



Next



Go Back

Cable location table

P/N	item number	Description	Location	To access
40X7168 (Cont.)	10J0937	Thermistor & redrive cable	Behind fuser System board connector: JFSRD1	See “Fuser thermistor removal” on page 4-70.
	10J0939	HVPS cable	Under HVPS board <ul style="list-style-type: none"> System board connector: JHVPS1 	See “High-voltage power supply (HVPS) board removal” on page 4-71.
	10J0942	Input option cable	Bottom frame <ul style="list-style-type: none"> System board connector: JIOPT1 	<ol style="list-style-type: none"> Remove the bottom plate of the printer. See steps 1 through 5 of “MPF breakaway assemblies removal” on page 4-98. Push the cable up through the frame. Stand the printer back up, and remove the cable Note: Use cable ties to attach the toroid to the new cable.
	10J0947	Ground strap cable	Front system board cage support above LVPS	<ol style="list-style-type: none"> Remove the rear cover. See “Rear cover removal” on page 4-20. Remove the strap from the top of the LVPS.
	10J0948	Duplex door beacon cable, side	Behind LVPS exit duct, through left rear frame to left access door <ul style="list-style-type: none"> System board connector: JDDLED1 	See “LVPS exit duct removal” on page 4-89 and “Left cover removal” on page 4-11.
	10J0949	Ref edge ground cable	Staging paper path reference edge	See “Staging paper path reference edge assembly removal” on page 4-142.
	10J0951	Paper path redrive sensor cable	Paper path redrive <ul style="list-style-type: none"> System board connector: JRDR1 	See “Paper path redrive assembly with sensors removal” on page 4-117.
	10J0953	Blower & right side waste cable	Behind blower, on top frame under printhead access cover <ul style="list-style-type: none"> System board connector: JBLW1 	See “Printhead access cover removal” on page 4-19.
	10J0957	Duplex unit cable	Behind LVPS exit duct, through left rear frame to left access door <ul style="list-style-type: none"> System board connector: JDP1 	See “LVPS exit duct removal” on page 4-89 and “Left cover removal” on page 4-11.
	10J0967	Waste toner full cable	<ul style="list-style-type: none"> System board connector: JWTBF1 	See “Waste toner full cable removal” on page 4-161.
40X7169	10J0963	Front host USB cable	Operator panel assembly, connected to UICC card	See “Host USB cable removal” on page 4-75.
	10J0970	Card reader cable	Operator panel assembly, connected to UICC card	See “OP panel cover removal” on page 4-18.
	10J0971	Operator panel USB cable	Under top cover <ul style="list-style-type: none"> System board connector: JFMUSB 	See “Top cover removal” on page 4-30.
	10J0972	UICC cable	Operator panel assembly <ul style="list-style-type: none"> System board connector: J1 	See “OP panel display removal” on page 4-113.

Previous



Next



Go Back

Cable location table

P/N	item number	Description	Location	To access
40X7170	10J0943	Waste toner cable	Under lower frame cable cover <ul style="list-style-type: none"> System board connector: JWTB1 	See “Waste toner cable removal” on page 4-160.
	10J0950	Bin-full sensor cable	Top cover <ul style="list-style-type: none"> System board connector: JTCVR1 	See “Top cover removal” on page 4-30.
	10J0960	Front door beacon cable	Waste toner left cover	See “Waste toner left cover removal” on page 4-34.
40X7171	10J0974	Weather station compensation thermistor	On LVPS <ul style="list-style-type: none"> System board connector: JCCT2 	See step 5 of “Low-voltage power supply (LVPS) removal” on page 4-86.
	10J1370	Fuser thermal guide assembly	Behind fuser	See “Fuser thermistor removal” on page 4-70.

Previous



Next




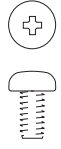

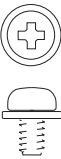

Go Back

Screw and retainer identification table

The following table contains screw and fastener descriptions, locations, and quantities necessary to service the printer. Pay careful attention to each screw type location when doing removals. You must install the correct screw type in each location during reassembly.

Sizes are as close to actual as possible, as long as the printout is not scaled or resized.

Screw identification table

P/N	Screw type	Location	Qty
10B1580 	#6 Panhead	Main fan to exit cooling fan duct	2
		LVPS fan to LVPS exit duct	2
10J1046 	3 x 5 mm	Pads to bottom plate	6
		Bottom plate to cartridge rails	2
10J1733 	M3.5 x 10 mm Flathead	ITU DS roller plate to paper path staging assembly	2
10J3568 	SEMS Machine Panhead	Printhead brackets to frame	6
18B1199 	M2.6*4.5-5.0 machine	2000-sheet motor to the bracket	2

Previous



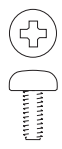
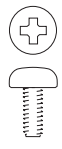



Next



Go Back

Screw identification table (continued)

P/N	Screw type	Location	Qty
27S2839 	Taptite M3 x 6 mm slotted hex black	System board shield to system board cage	2
88A0001 	MACH M3X0.5-6G 4LG	550-sheet drive assembly to 550-sheet drawer	1
88A0121 	M3.5 x 6 Machine Panhead	Standoff to HVPS board	1
88A0212 	Taptite Metal M3.5 x 6 mm PAN	C-datum guide/F-thermister assembly to frame	4
		Cartridge contact block assembly to front frame	3
		Cartridge memory block assemblies to rear frame, 2 per assembly	8
		Cartridge rail assemblies to frame, left and right, 1 per rail	8
		EP drive assembly to frame	8
		Exit cooling fan duct assembly to frame	1
		Fuser drive assembly to frame	3
		Ground cables to frame	4
		LVPS to frame	3
		Media tray rails to bottom plate, 1 per rail	2
		Post to HVPS board and frame plate above it	2
		Rear cover to system board cage and frame	2
		Rear upper cover to rear cover	2
		Redrive motor to frame	2
		Right cover to lower front frame	1
		System board cage to support	1
Top cover to top frame	3		
88A0231 	M3x5 taptite	2000-sheet bracket to frame	4
		2000-sheet controller card housing to 2000-sheet drawer	3
		2000-sheet jam clearance cover to 2000-sheet drawer	4
		2000-sheet jam clearance top cover to 2000-sheet drawer	1
		2000-sheet led bracket to 2000-sheet drawer	2
		2000-sheet left anti-tip latch assembly to 2000-sheet drawer	2
		2000-sheet right anti-tip latch assembly to 2000-sheet drawer	2
		cave light to 2000-sheet drawer	2

Previous







Next



Go Back

Screw identification table (continued)

P/N	Screw type	Location	Qty
88A0232 	Taptite M3 x 6 mm MTF PAN	550-sheet left anti-tip latch assembly to 550-sheet drawer	2
		550-sheet right anti-tip latch assembly to 550-sheet drawer	2
		Cable cover to system board cage	2
		System board to cage	9
		Fax ports on system board to cage	2
88A0233 	M3 x 8 Taptite	550-sheet bottom cover to 550-sheet drawer	2
88A0312 	M02.9X06 ACR2 Panhead	550-sheet controller card assembly to 550-sheet drive assembly	4
		2000-sheet elevator home sensor to frame	1
		2000-sheet jam clearance sensor to frame	1
88A0313 	Plastite M2.9 x 8 mm PAN	Beacon cover to frame	1
		2000-sheet controller card assembly to controller card housing	4

Previous


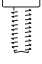


Next



Go Back

Screw identification table (continued)

P/N	Screw type	Location	Qty
88A0323  	Plastite M3.5 x 8 mm PAN	550-sheet top metal cover to 550-sheet drawer	10
		550-sheet bottom cover to 550-sheet drawer	8
		550-sheet option deflector to 550-sheet drawer	1
		550-sheet drive assembly to 550-sheet drawer	6
		ACM bias spring to lower frame	1
		Auto-connect harness to frame	7
		Bottom plate to frame	7
		Contact bracket to HVPS board	3
		Cable retainers to frame	4
		Cartridge blower assembly to front frame	1
		Exit cooling fan duct to frame	3
		Front access door beacon cover to waste toner left cover	2
		Front access door pivot to top cover	3
		Interlock housing assembly	3
		ITU block assembly to frame	3
		Left cover to top cover and left frame	2
		Left frame cable cover	1
		Logo panel to top cover	3
		Lower left cover to frame	2
		LVPS exit duct to frame	2
		LVPS to frame	2
		Media rails, left and right, to front lower frame	2
		MPF breakaway assembly, front	3
		MPF breakaway assembly, rear	2
		MPF cable cover to lower frame	2
		MPF connector cover to duplex assembly	3
		MPF drive assembly to frame	3
		Operator panel assembly to top cover	2
		Operator panel display bracket to OP cover	4
		Printhead access cover to top cover	2
		Rear cover to top cover and frame	3
		Rear upper cover to rear cover	1
		Redrive assembly	3
		Right cover	6
Speaker to top cover	1		
Top cover to left cover and front frame	3		
Tray beacon cable plate assembly	4		
UICC card to operator panel cover	4		
waste toner left cover to frame	8		

Previous



Next



Go Back

Screw identification table (continued)

P/N	Screw type	Location	Qty
88A0329	M3.5 x 30 mm	Paper path staging assembly to frame	2
88A0412	PL ROLN 2.9 x 5.2 mm	550-sheet pick tire to 550-sheet pick arm assembly	2
		Pick tires to Tray 1 paper pick mechanism	2
88A0414	SEMS PL ROLN 2.9X8.2	2000-sheet jam clearance top cover to 2000-sheet drawer	2
		2000-sheet pick assembly to 2000-sheet drawer	1
88A0425	SEMS PL ROLN 3.5 x 11 mm	Duplex unit to left access door	1
88A0442	M3x5.2 T-TITE SEMS	2000-sheet drive assembly to 2000-sheet drawer	3
		2000-sheet left side cover to 2000-sheet drawer	7
		2000-sheet pick assembly to 2000-sheet drawer	5
		2000-sheet rear cover to 2000-sheet drawer	2
		2000-sheet right side cover to 2000-sheet drawer	7
1126827	E-clip M2	Left access door rear piston to door assembly	1
1126829	E-clip M4	Fuser drive gear	1
		Left access door front piston to frame and door assembly	3
		Left access door rear piston to frame	1
		Redrive train	1

Previous





Next



Go Back

Screw identification table (continued)

P/N	Screw type	Location	Qty
1126830 	E-clip M5	Bellcrank daturm, front and rear	2
		MPF pivot shaft	2
		MPF pulley	1
		Spur 17T Helicai gear	2
1126831 	E-clip M6	MPF redrive gear	2

Previous



Next



Go Back